

GESIPA® lockbolt setting tools

TAURUS® 4 SRB with Angle head 90° compact

Working range

6.4 lock bolts MagnaGrip®* and C6L®*

Technical data

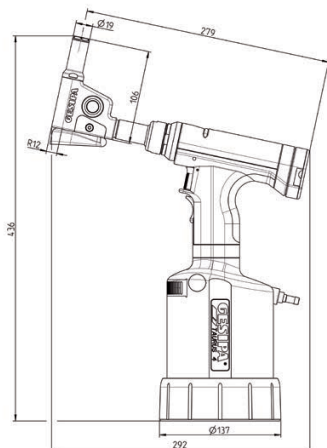
Weight: 2.6 kg
 Operating air pressure: 5-7 bar
 Air hose connection: 6 mm Ø (1/4")
 Air consumption: approx. 4.8 NL per rivet
 Setting force: 20,000 N at 5 bar
 Stroke: 19 mm

Accessoires

Angle head with nosepiece in working position
 Tag on device head
 1 hydraulic oil bottle 100 ml
 1 oil refill can
 Operating instructions with spare parts list

Advantages

- Hydro-pneumatic lock bolt setting device
- Accessibility in tight working spaces
- Light and compact design
- Modular structure
- Ergonomic handling



Available from the middle of 2014

Nosepiece

Description	Part no.
Nosepiece for SRB 6,4 mm MagnaGrip®*	758 1204
Nosepiece for SRB 6,4 mm C6L®*	758 1295

TAURUS® 4 for SRB 6,4 mm MagnaGrip®*
Art.-Nr. 759 0033

TAURUS® 4 for SRB 6,4 mm C6L®*
Art.-Nr. 759 0032

*Registered trademark of Alcoa Fastening Systems

GESIPA® lockbolt setting tools

PowerBird® SRB 4,8

Working range

4.8 lock bolts C6L®* and Magna-Grip®

Technical data

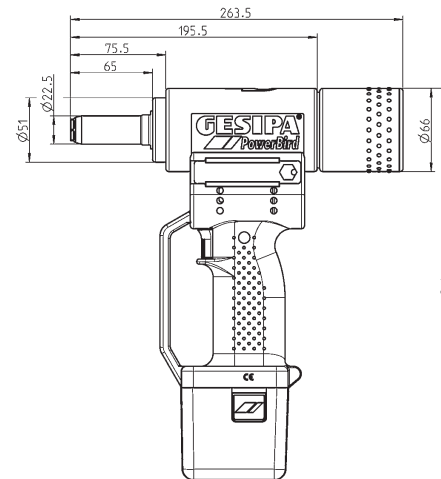
Weight (with battery): 2.3 kg
 Drive: 14,4 V DC
 Traction power: 18,000 N
 Stroke: 20 mm

Accessories

Li-Ion power battery
 2,6 Ah/14,4 V
 charger operating manual with
 spare parts list plastic carrying case



PowerBird® for lockbolts 4.8 mm C6L®* and MagnaGrip®*



Advantages

- Battery-operated lock bolt setting device
- Processing anywhere
- Lightweight and compact design
- Modular structure
- Ergonomic handling

PowerBird® for lock bolts 4.8 mm (3/16") C6L®*
part no. 724 0047

PowerBird® for lock bolts 4.8 mm (3/16") Magna-Grip®*
part no. 724 0048

*Registered trademark of Alcoa Fastening Systems