

## GESIPA® lockbolt setting tools

### TAURUS® 5 compact

#### Working range

4,8er and 6,4er lockbolts  
C6L® and MagnaGrip®

#### Technical data

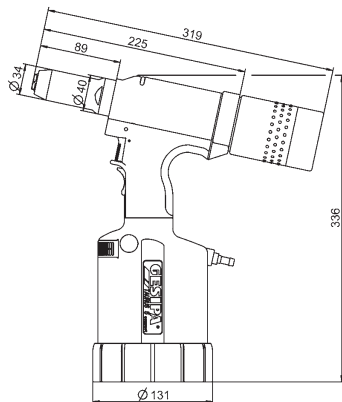
Weight: 2,8 kg  
Operating air pressure: 5 - 7 bar  
Air hose connection Ø: 6 mm  
Air consumption: 4,8 NL / stroke  
Traction power: 26,000 N at 5 bar  
Stroke: 14 mm

#### Accessories

Maintenance wrench SW12/14, SW14/17  
1 hydraulic oil bottle 100 ml  
1 oil refill can  
Operating instructions with spare parts list

#### Advantages

- Specially adjusted stroke for setting lockbolts
- Very high tensile strength allows fast setting
- Extremely handy and lightweight due to its compact design
- Economic consumption of compressed air
- Minimum wear and tear due to use of pulling head modules with jaws respectively adjusted in their numbers of parts
- Efficient operation through extraction of spent mandrels
- Large spent mandrel container
- Attractive price-performance ratio



**TAURUS® 5 compact** for lock bolts 4.8mm C6L®  
**Part no. 760 0003**

**TAURUS® 5 compact** for lock bolts 4.8mm  
MagnaGrip®  
**Part no. 760 0004**

**TAURUS® 5 compact** for lock bolts 6.4mm C6L®  
**Part no. 760 0005**

**TAURUS® 5 compact** for lock bolts 6.4mm  
MagnaGrip®  
**Part no. 760 0006**

\*Registered trademark of Alcoa Fastening Systems

## GESIPA® lockbolt setting tools

### TAURUS® 3 SRB

#### Working range

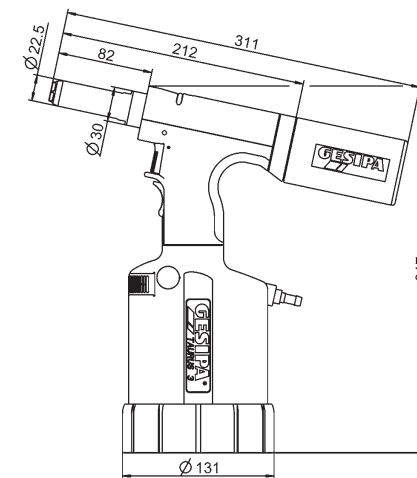
4.8 lock bolts MagnaGrip® and C6L®

#### Technical data

Weight: 2.0 kg  
Operating air pressure: 5 - 7 bar  
Air hose connection Ø: 6 mm  
Air consumption: 4.8 NL / stroke  
Traction power: 14,000 N at 5 bar  
Stroke: 25 mm

#### Accessories

Maintenance wrench SW12/14, SW14/17  
1 hydraulic oil bottle 100 ml  
1 oil refill can  
Operating instructions with spare parts list



#### Advantages

- Specially adjusted stroke for setting lockbolts
- Very high tensile strength allows fast setting
- Extremely handy and lightweight due to its compact design
- Economic consumption of compressed air
- Minimum wear and tear due to use of pulling head modules with jaws respectively adjusted in their numbers of parts
- Efficient operation through extraction of spent mandrels
- Large spent mandrel container
- Attractive price-performance ratio

**TAURUS® 3** for lockbolts 4.8mm  
MagnaGrip®  
**Part no. 758 0037**

**TAURUS® 3** for lockbolts 4.8mm C6L®  
**Part no. 758 0038**

\*Registered trademark of Alcoa Fastening Systems