

PowerBird®

The well-proven blind rivet setting tool with Li-Ion energy and even higher setting performance

PowerBird® with power battery 14.4 Volt / 2.6 Ah and charger, in carrying case

Part no. 724 0031

PowerBird® with two power batteries 14.4 Volt / 2.6 Ah and charger, in carrying case

Part no. 724 0040

PowerBird® with power battery 14.4 Volt / 2.6 Ah and charger, in carrying case, with spring loaded trigger system

Part no. 724 0160

PowerBird® Innovation

As the stronger brother to the well-known AccuBird® the PowerBird® is the powerful extension of the so-called „Bird family“ from GESIPA® able to cope with all structure blind rivets.

Practical aspects

User oriented scope of delivery: metal carrying case with one battery charger, one battery and four nosepieces

Economy

- Good price-performance ratio
- Large working range
- Short processing times
- High service life thanks to 2.6 Ah power battery



PowerBird® – With Li-Ion energy

2.6 Ah battery, alternatively 1.3 Ah on request

PowerBird® – Der Versatility

Blind rivets from 4.8 mm Ø steel, up to 6.4 mm Ø all materials and up to 8 mm alu, except G-Bulb® 6.4 mm.

Bulb-tite® blind rivets up to 7.7 mm Ø all materials.
Mega Grip® blind rivets up to 6.4 mm Ø all materials.



PowerBird® – Rechargeable 14.4 volt power battery riveting tool with Li-Ion battery for even higher performance

Working range

Blind rivets from Ø 4.8 mm steel, up to Ø 8 mm alu, up to 6.4 mm all materials, except G-Bulb® Ø 6.4 mm. BULB-TITE® blind rivets up to Ø 7.7 mm, all materials. MEGA GRIP® blind rivets up to Ø 6,4 mm, all materials.

Technical data

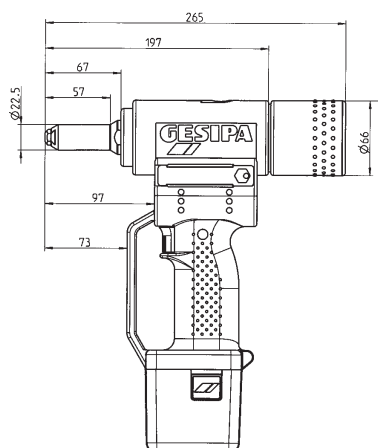
Weight: 2.2 kg with battery
Stroke: 20 mm
Drive: DC motor
Traction power: 14,000 N

Nosepieces

17/32, 17/36, 17/40 and 17/45

Jaws (3 parts)

Part no. 710 2208



Charger 14,4 V Li-Ion

Part no. 725 1134



Technical data

Input voltage: 230 V / 50 Hz
Output voltage: 14,4 V DC
Recharging time: 50 to 100 minutes (battery depending)
Weight: 0.6 kg

Battery 14,4 V/1,3 Ah (Li-Ion)

Part no. 725 1045

Weight: 0.35 kg
available as special accessory

Power battery 14,4 V/2,6 Ah (Li-Ion)

Part no. 725 1049

Weight: 0.5 kg



Charger 12 V NiCd

Part no. 725 1035

PowerBird® – Rechargeable 14.4 volt power battery riveting tool with Li-Ion battery for even higher performance

One-piece, slim extension unit
for setting rivets in deep positions

One-piece, slim extension unit to approx. 110 mm, Ø 22.5 mm, for setting rivets in deep positions and with difficult access

Part no. 724 2054

One-piece, slim extension unit to approx. 160 mm, Ø 22.5 mm, for setting rivets in deep positions and with difficult access

Part no. 724 2055



Further dimensions available upon request

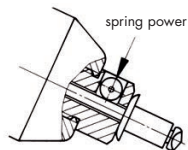
Extended spent mandrel container
to suit AccuBird® and PowerBird®

Part no. 725 9328



Special accessory: Retaining nosepiece

- Inserted rivet remains in any position
- Rivets may be set with only one hand
- Safer work



Retaining nosepiece	Part no.	Retaining nosepiece	Part no.
17/40 R	725 4125	17/45 R	725 4126

Nosepieces – power per battery charge

Rivet Ø mm	Rivet material	approx. pc/ battery charge	Nosepiece	Part no.
4,8 und 5,0	Steel, Alu	700	17/32	725 2067
4,8 und 5,0	Stainless	560	17/36	725 2083
6,0	Alu	560	17/36	725 2083
6,0	Steel	300	17/40	725 2560
6,4	Alu, PG-Alu	420	17/45	724 3065
6,4	Steel	250	17/45	724 3065
8	Alu	350	17/45	724 3065

BULB-TITE® blind rivets

Ø	Material	Quantity	Part no.	Part no.
4,0	Alu	1.000	17/26 BT*	725 2202
5,2	Alu	900	17/32 BT*	725 2210
6,3	Alu	590	17/42 BT*	725 2229
6,3	Steel	310	17/42 BT*	725 2229
6,3	Monel	380	17/42 BT*	725 2229
7,7	Alu	470	17/48 BT*	725 2237
			and jaws	715 1527

MEGA GRIP® blind rivets

Ø	Material	Quantity	Part no.	Part no.
4,8	Alu	600	17/31 MG*	725 2250
6,4	Alu	420	17/41 MG*	724 3146
4,8	Steel	420	17/31 MG*	725 2250
6,4	Steel	150	17/41 MG*	724 3146
4,8	Stainless steel	420	17/31 MG*	725 2250
6,4	Stainless steel	150	17/41 MG*	724 3146

* available as special accessory

Special design nosepieces are available on request
Information about nosepiece allocations are valid for DIN compliant and GESIPA® blind rivets.



PowerBird® Solar

Ideal for deep, difficult to access areas in solar applications



Part no. 724 0041

Working range

Blind rivets from Ø 4.8 mm steel up to 6.4 mm all materials, except G-Bulb® Ø 6.4 mm.
BULB-TITE® blind rivets up to Ø 7.7 mm, all materials.
MEGA GRIP® blind rivets up to Ø 6.4 mm all materials.

Technical data

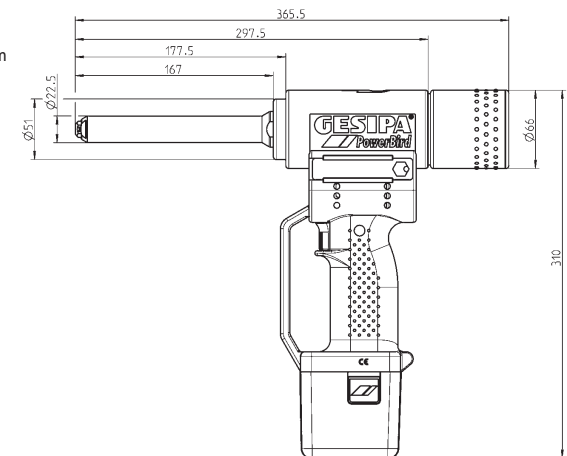
Weight (incl. power battery): 2.42 kg
Working stroke: 20 mm
Drive: DC motor
Traction power: 14,000 N
Extension unit: approx. 160 mm

Equipment

approx. 160 mm extension unit
two Li-Ion power batteries 2.6 Ah/14.4 V
Quick charger
Nosepieces 17/32, 17/36, 17/40, 17/45 and 17/48 BT
Plastic carrying case



Extension unit



The GESIPA® SolarGrip® blind rivet program can be found on page 42.

