

## GESIPA® lockbolt setting tools

### TAURUS® 4 SRB with Angle head 90° compact

#### Working range

6.4 lock bolts MagnaGrip®\* and C6L®\*

#### Technical data

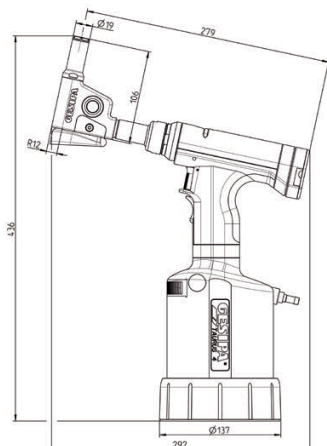
Weight: 2.6 kg  
 Operating air pressure: 5-7 bar  
 Air hose connection: 6 mm Ø (1/4")  
 Air consumption: approx. 4.8 NL per rivet  
 Setting force: 20,000 N at 5 bar  
 Stroke: 19 mm

#### Accessoires

Angle head with nosepiece in working position  
 Tag on device head  
 1 hydraulic oil bottle 100 ml  
 1 oil refill can  
 Operating instructions with spare parts list

#### Advantages

- Hydro-pneumatic lock bolt setting device
- Accessibility in tight working spaces
- Light and compact design
- Modular structure
- Ergonomic handling



Available from the middle of 2014

#### Nosepiece

Description	Part no.
Nosepiece for SRB 6,4 mm MagnaGrip®*	758 1204
Nosepiece for SRB 6,4 mm C6L®*	758 1295

**TAURUS® 4 for SRB 6,4 mm MagnaGrip®\***  
**Art.-Nr. 759 0033**

**TAURUS® 4 for SRB 6,4 mm C6L®\***  
**Art.-Nr. 759 0032**

\*Registered trademark of Alcoa Fastening Systems

## GESIPA® lockbolt setting tools

### PowerBird® SRB 4,8

#### Working range

4.8 lock bolts C6L®\* and Magna-Grip®

#### Technical data

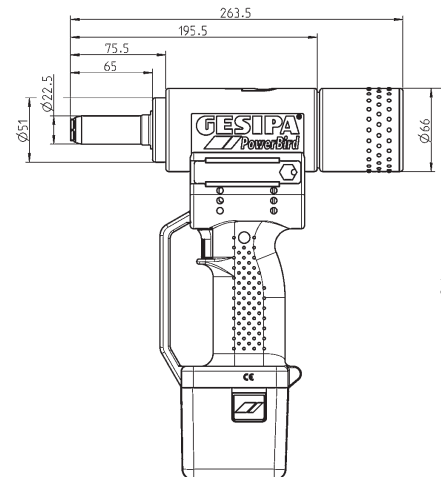
Weight (with battery): 2.3 kg  
 Drive: 14,4 V DC  
 Traction power: 18,000 N  
 Stroke: 20 mm

#### Accessories

Li-Ion power battery  
 2,6 Ah/14,4 V  
 charger operating manual with  
 spare parts list plastic carrying case



PowerBird® for lockbolts 4.8 mm C6L®\* and MagnaGrip®\*



#### Advantages

- Battery-operated lock bolt setting device
- Processing anywhere
- Lightweight and compact design
- Modular structure
- Ergonomic handling

**PowerBird® for lock bolts 4.8 mm (3/16") C6L®\***  
**part no. 724 0047**

**PowerBird® for lock bolts 4.8 mm (3/16") Magna-Grip®\***  
**part no. 724 0048**

\*Registered trademark of Alcoa Fastening Systems