

PowerBird® – Rechargeable 14.4 volt power battery rive- ting tool with Li-Ion battery for even higher performance

One-piece, slim extension unit
for setting rivets in deep positions

One-piece, slim extension unit to approx. 110 mm, Ø 22.5 mm, for setting rivets in deep positions and with difficult access

Part no. 724 2054

One-piece, slim extension unit to approx. 160 mm, Ø 22.5 mm, for setting rivets in deep positions and with difficult acces

Part no. 724 2055



Further dimensions available upon request

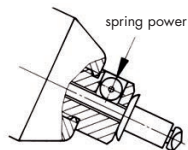
Extended spent mandrel container
to suit AccuBird® and PowerBird®

Part no. 725 9328



Special accessory: Retaining nosepiece

- Inserted rivet remains in any position
- Rivets may be set with only one hand
- Safer work



Retaining nosepiece	Part no.	Retaining nosepiece	Part no.
17/40 R	725 4125	17/45 R	725 4126

**Nosepieces –
power per battery charge**

Rivet Ø mm	Rivet material	approx. pc/ battery charge	Nosepiece	Part no.
4,8 und 5,0	Steel, Alu	700	17/32	725 2067
4,8 und 5,0	Stainless	560	17/36	725 2083
6,0	Alu	560	17/36	725 2083
6,0	Steel	300	17/40	725 2560
6,4	Alu, PG-Alu	420	17/45	724 3065
6,4	Steel	250	17/45	724 3065
8	Alu	350	17/45	724 3065

BULB-TITE® blind rivets

Ø	Material	Quantity	Part no.	Part no.
4,0	Alu	1.000	17/26 BT*	725 2202
5,2	Alu	900	17/32 BT*	725 2210
6,3	Alu	590	17/42 BT*	725 2229
6,3	Steel	310	17/42 BT*	725 2229
6,3	Monel	380	17/42 BT*	725 2229
7,7	Alu	470	17/48 BT*	725 2237
			and jaws	715 1527

MEGA GRIP® blind rivets

Ø	Material	Quantity	Part no.	Part no.
4,8	Alu	600	17/31 MG*	725 2250
6,4	Alu	420	17/41 MG*	724 3146
4,8	Steel	420	17/31 MG*	725 2250
6,4	Steel	150	17/41 MG*	724 3146
4,8	Stainless steel	420	17/31 MG*	725 2250
6,4	Stainless steel	150	17/41 MG*	724 3146

* available as special accessory

Special design nosepieces are available on request
Information about nosepiece allocations are valid
for DIN compliant and GESIPA® blind rivets.



PowerBird® Solar

**Ideal for deep, difficult
to access areas in solar
applications**



Part no. 724 0041

Working range

Blind rivets from Ø 4.8 mm steel up to 6.4 mm
all materials, except G-Bulb® Ø 6.4 mm.
BULB-TITE® blind rivets up to Ø 7.7 mm, all materials.
MEGA GRIP® blind rivets up to Ø 6.4 mm
all materials.

Technical data

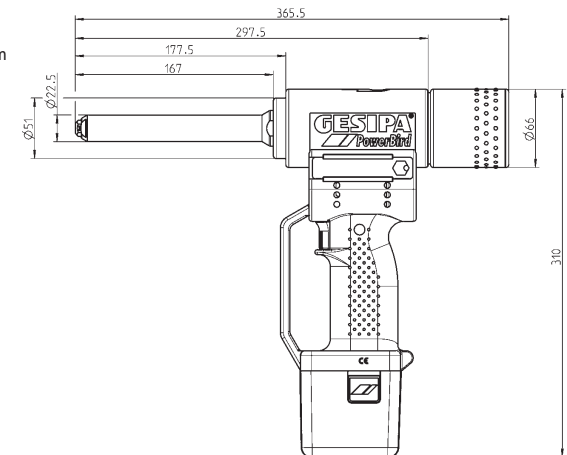
Weight (incl. power battery): 2.42 kg
Working stroke: 20 mm
Drive: DC motor
Traction power: 14,000 N
Extension unit: approx. 160 mm

Equipment

approx. 160 mm extension unit
two Li-Ion power batteries 2.6 Ah/14.4 V
Quick charger
Nosepieces 17/32, 17/36,
17/40, 17/45 and 17/48 BT
Plastic carrying case



Extension unit



The GESIPA® SolarGrip® blind rivet program
can be found on page 42.

