

# PowerBird® Gold Edition

The exclusive Gold Edition with 18,000 N traction power



**PowerBird® Gold Edition**  
with a power battery 14,4 Volt / 2,6 Ah and charger in plastic carrying case

**Part no. 724 0001**

**PowerBird® Gold Edition with spring loaded trigger system**  
with a power battery 14,4 Volt / 2,6 Ah and charger in plastic carrying case

**Part no. 724 0002**

## The strong one

PowerBird®, the all-rounder of the Bird family by GESIPA® with its wide range of application possibilities, is now available in an even stronger version: with a setting force of 18.000 N it can even set G-Bulb® and PolyGrip® blind rivets up to a diameter of 6.4 mm of all materials.

## The all-round talent

Blind rivets from Ø 4.8 mm steel to Ø 6.4 mm all materials, BULB-TITE® blind rivets up to Ø 7.7 mm, all materials, MEGA GRIP® blind rivets up to Ø 6.6 mm alu and steel, G-Bulb® blind rivets up to Ø 6.4 mm all materials, Poly-Grip® blind rivet up to Ø 6.4 mm all materials.

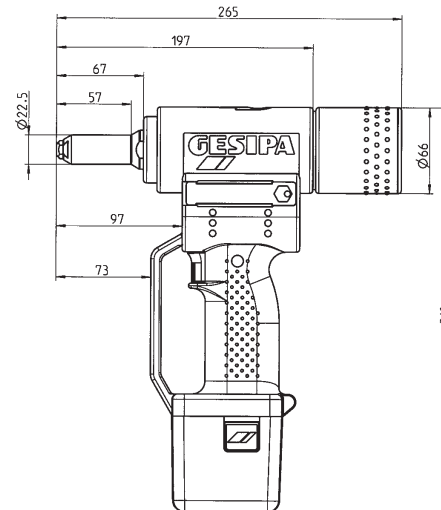
## The practical one

- Fatigue-free working through well balanced weight repartition and ergonomic grip
- Gravity controlled evacuation of spent mandrels: forward through the nosepiece or backwards into the mandrel container
- The immediate and automatic reset after each riveting process saves energy and speeds up the operation
- Exchange nosepieces and wrench always included in the tool eliminate work interruptions
- Compact, shockproof tool housing for all application conditions
- User oriented scope of delivery: plastic carrying case with one battery charger, one battery and four nosepieces (17/32, 17/36, 17/40, 17/45)

# PowerBird® Gold Edition - The strong one

## Technical data

Traction power:	18.000 N
Weight (incl. power battery):	2.2 kg
Drive:	DC motor
Working stroke:	20 mm



## Charger 14,4 V Li-Ion

**Part no. 725 1134**



## Technical data

Input voltage:	230 V / 50 Hz
Output voltage:	14,4 V Gleichstrom
Recharging time:	50 to 100 minutes (battery depending)
Weight:	0,6 kg

## Battery 14,4 V/1,3 Ah (Li-Ion)

**Part no. 725 1045**

Weight: 0,35 kg  
available as special accessory

## Power battery 14,4 V/2,6 Ah (Li-Ion)

**Part no. 725 1049**

Weight: 0,5 kg



## Jaws (3 parts)

**Part no. 710 2208**

## One-piece extension unit

for setting rivets in deep positions and with difficult access

One-piece, slim extension unit to approx. 117 mm, Ø 22.5 mm

**Part no. 724 2054**

One-piece, slim extension unit to approx. 167 mm, Ø 22,5 mm

**Part no. 724 2055**



Extension unit



## PowerBird® Gold Edition - Nosepieces allocation

### Nosepieces - Power per battery charge

#### BULB-TITE®, PolyGrip®, G-Bulb®- and standard blind rivets

Blind rivet Ø in mm	Material	approx.pc/battery charge	Nosepiece	Part no.
4,8 und 5,0	Steel, alu	<b>700</b>	17/32	<b>725 2067</b>
4,8 und 5,0	Stainless steel, Stinox, PG-steel, PG-stainless steel	<b>560</b>	17/36	<b>725 2083</b>
6,0	Alu	<b>560</b>	17/36	<b>725 2083</b>
6,0	Steel	<b>300</b>	17/40	<b>725 2560</b>
6,4	Alu	<b>420</b>	17/40	<b>725 2560</b>
6,4	Steel, PG-steel, alu/alu, stainless steel	<b>250</b>	17/45	<b>724 3065</b>
8	Alu	<b>350</b>	17/45	<b>724 3065</b>

#### G-Bulb® blind rivets

Blind rivet Ø in mm	Material	approx.pc/battery charge	Nosepiece	Part no.
4,8	Steel/steel	<b>530</b>	17/32	<b>725 2067</b>
6,4	Steel/steel	<b>390</b>	17/45	<b>724 3065</b>
4,8	Stainless steel/stainless steel	<b>470</b>	17/32	<b>725 2067</b>
6,4	Stainless steel/stainless steel	<b>390</b>	17/45	<b>724 3065</b>

Information about nosepiece allocations are valid for DIN compliant and GESIPA® blind rivets.

#### BULB-TITE® blind rivets

Blind rivet Ø in mm	Material	approx.pc/battery charge	Nosepiece	Part no.
4,0	Alu	<b>1.000</b>	17/26 BT*	<b>725 2202</b>
5,2	Alu	<b>900</b>	17/32 BT*	<b>725 2210</b>
6,3	Alu	<b>590</b>	17/42 BT*	<b>725 2229</b>
6,3	Steel	<b>310</b>	17/42 BT*	<b>725 2229</b>
6,3	Monel/stainless steel	<b>380</b>	17/42 BT*	<b>725 2229</b>
7,7	Alu	<b>470</b>	17/48 BT* and Jaws*	<b>715 1527</b>

#### MEGA GRIP® blind rivets

Blind rivet Ø in mm	Material	approx.pc/battery charge	Nosepiece	Part no.
4,8	Alu	<b>600</b>	17/31 MG*	<b>725 2250</b>
6,4	Alu	<b>420</b>	17/41 MG*	<b>724 3146</b>
4,8	Steel	<b>420</b>	17/31 MG*	<b>725 2250</b>
6,4	Steel	<b>150</b>	17/41 MG*	<b>724 3146</b>
4,8	Stainless steel	<b>420</b>	17/31 MG*	<b>725 2250</b>
6,4	Stainless steel	<b>150</b>	17/41 MG*	<b>724 3146</b>

\* Available as special accessory. Special design nosepieces are available on request.

## PowerBird® and AccuBird® versions with spring loaded trigger system

### The well-proven spring loaded trigger system of the TAURUS® series now as well for AccuBird® and PowerBird®

This feature ensures that the materials of the riveting application will be pressed together before the rivet is installed, thus avoiding gaps in between. Moreover the operator will be certain that the rivet has reached its end position in the application and that the setting head is in contact with the upper side of the material. The pressing force can be adjusted variably with springs depending on the application.

**AccuBird® with spring loaded trigger system** with battery 14,4 V / 1,3 Ah and charger, in metal carrying case, Nosepieces 17/24, 17/27, 17/29 and 17/32

**Part no. 725 0015**

**PowerBird® with spring loaded trigger system** with power battery 14,4 Volt / 2,6 Ah and charger, in metal carrying case, Nosepieces 17/32, 17/36, 17/40 and 17/45

**Part no. 724 0160**

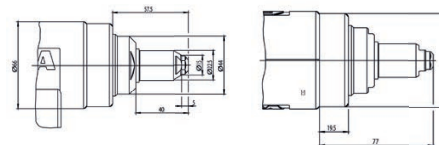
**PowerBird® Solar with spring loaded trigger system** with power battery 14,4 Volt/2,6 Ah and charger, in plastic carrying case, Nosepieces 17/32, 17/36, 17/40 and 17/45 approx. 160 mm extension unit

**Part no. 724 0026**

**PowerBird® Gold Edition with spring loaded trigger system** with power battery 14,4 Volt / 2,6 Ah and charger, in plastic carrying case, Nosepieces 17/32, 17/36, 17/40 and 17/45

**Part no. 724 0002**

#### PowerBird® dimension drawing with spring loaded trigger system

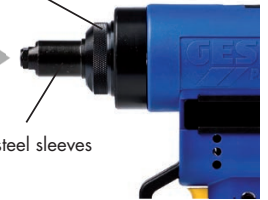


**Ensuring correct processing of the blind rivets by means of a defined contact pressure**

Setting the contact force required for the trigger action

Contact force →

Moving steel sleeves



→ **Process-secure blind riveting even of parts with gaps or recoiling elements**

#### The function

The surface contact trigger mechanism is also installed on the trigger button of the device. It only allows the rivet device to be triggered if a settable compressive force on the part is reached. This ensures that the various components of the application are pressed correctly onto each other before the riveting process. In turn, this means that the uncontrolled deformation of the rivet body between the materials is prevented, which would otherwise go undetected.

The surface contact force may vary in five steps. It is set by either adding or removing springs. This rules out the possibility of unintentionally adjusting the defined surface contact force. Push buttons are arranged in series in front of the standard trigger button. The rivet process can only be triggered by pressing the yellow trigger button when the spring force has been overcome and the defined surface contact force has been reached.

**The pressure trigger is only supplied completely mounted. It cannot be retrofitted.**