

Hydro-pneumatic blind rivet setting tool

PH 1

Part no. 716 0011



Working range

Blind rivets up to 4 mm Ø
all materials.

Not suitable for stainless steel
CAP® blind rivets.

Technical data

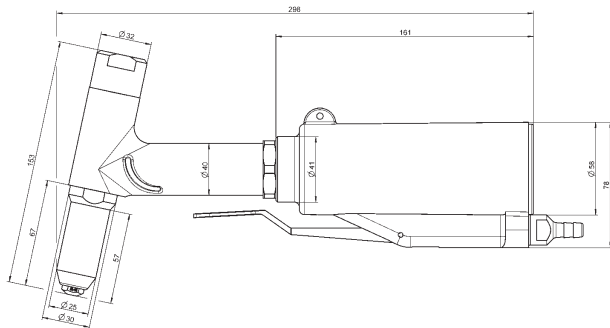
Weight:	1.2 kg
Operating air pressure:	6 bar
Air hose connection:	6 mm Ø (1/4")
Air consumption:	0.8-1.2 ltr. per rivet (0,2 ltr. compr. air)
Traction power:	5.200 N at 5 bar
Stroke:	15 mm

Nosepieces/accessories

Nosepieces: 16/18, 16/24, 16/27 and
16/29
1 set of jaws, 1 spent mandrel bottle,
1 wrench each of MSU and MSZ,
Maintenance instructions with spare parts list

Jaws (2 parts) for PH 1

Part no. 705 2057



Hydro-pneumatic blind rivet setting tool

PH 2

Part no. 717 0017



Working range

Blind rivets from 3 up to 5 mm Ø
all materials and blind rivets with 2.4 mm Ø
with small jaws (page 133)

Not suitable for stainless steel **CAP® blind rivets.**

Technical data

Weight:	1.3 kg
Operating air pressure:	6 bar
Air hose connection:	6 mm Ø (1/4")
Air consumption:	1.2-1.8 ltr. per rivet (0,3 ltr. compr. air)
Traction power:	7.375 N at 5 bar
Stroke:	15 mm

Nosepieces/accessories

Nosepieces:
16/24, 16/27, 16/29, 16/32 and 16/36
1 set of jaws, 1 spent mandrel bottle,
1 wrench each of MSU and MSZ,
Maintenance instructions with spare parts list

Jaws (3 parts) for PH 2 and PH 2000

Part no. 710 2151

