

Hydro-pneumatic blind rivet setting tools

PH 2-VK

Part no. 717 0068



VK: Shorter version of the pistol head for difficult to access rivets

Working range

Blind rivets up to 4 mm Ø alu, steel and copper

Technical data

Weight: 1,3 kg
 Operating air pressure: 6 bar
 Air hose connection: 6 mm Ø (1/4")
 Air consumption: 1,2-1,8 ltr. per rivet
 (0,3 ltr. compr. air)
 Traction power: 5.200 N at 5 bar
 Stroke: 14 mm

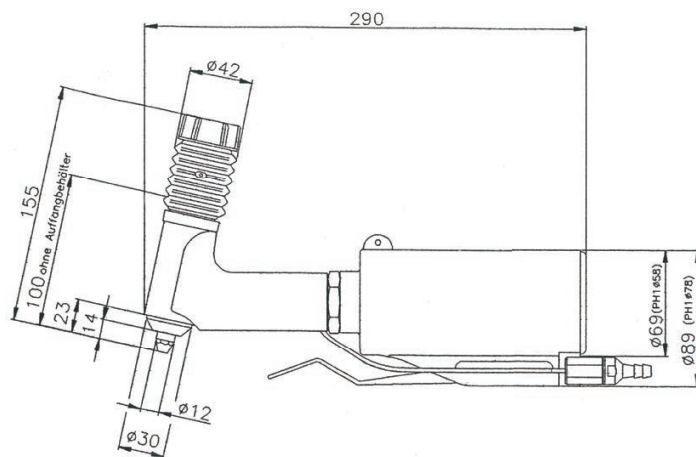
Nosepieces/Accessories

Nosepieces: 10/18, 10/24 and 10/27
 1 spent mandrel bottle, 1 maintenance wrench of MSU and MSZ, maintenance instructions with spare parts list



Jaws (2 parts) for PH 2-VK

Part no. 705 2057



Hydro-pneumatic blind rivet setting tools

PH Axial

Part no. 770 0008



Working range

Blind rivets from 4 up to 5 mm Ø steel and 2.4 up to 3.2 mm Ø with small jaw assembly (page 133).

Technical data

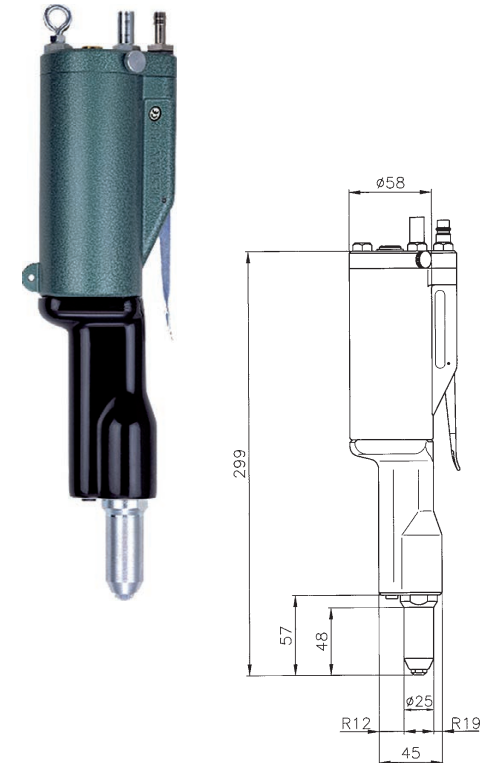
Weight: 1,8 kg
 Operating air pressure: 6 bar
 Air hose connection: 6 mm Ø (1/4")
 Air consumption: 1,2-1,8 ltr. per rivet
 (0,3 ltr. compr. air)
 Traction power: 7.375 N at 5 bar
 Stroke: 15 mm

Nosepieces/Accessories

Nosepieces: 16/24, 16/27, 16/29 and 16/32
 Jaw pusher with reducing tube no.125 for 4 mm Ø blind rivets in alu and copper
 Ejection tube with socket for spent mandrels
 Maintenance instructions and spare parts list

Jaws (3 parts) for PH Axial

Part no. 710 2151



Features

- Pneumatic cylinder and hydraulic head with jaw mechanism arranged axially behind each other: simple and easy handling when used vertically (e.g. desktop assembly points)
- Integrated blind rivet suction and rivet mandrel ejection system: does not need to be retrofitted, secure disposal of the spent mandrels in a central container via a hose
- Hydraulic head in aluminium with wear-proof cylinder surface
- Pneumatic cylinder made of die cast aluminium
- Working piston made of hardened and hard chromium plated steel make the device easy to handle and wear-proof
- Compact seals are wear-proof with large scraper effect, long service life
- Fast venting system: faster return; high work sequence
- Low-noise pneumatic switching
- Simple valve structure: interruption free