

GBM 95 – Hydro-pneumatic blind rivet nut setting tool

GBM 95

Working range

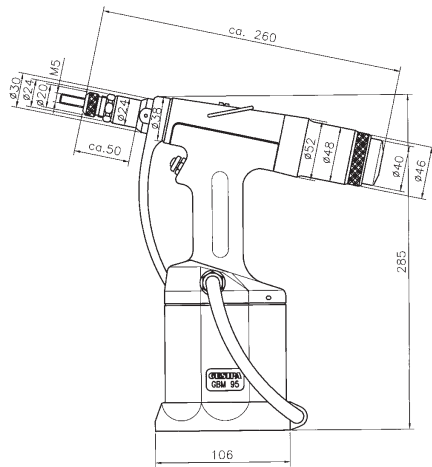
Blind rivet nuts from M3 up to M10
all materials

Technical data

Weight: 2.3 kg
Operating air pressure: 6 bar
Air hose connection: 6 mm Ø (1/4")
Air consumption: ca. 8 ltr. per riveting process
Traction power: 15,700 N (1,600 kp)
Stroke: 7 mm

Accessories

1 wrench MSU
1 hexagon screwdriver SW 4
1 hexagonball-end driver SW 2,5
1 assembly rod
1 pin spanner Ø 42
1 oil refill can with hydraulic oil



Equipment

Standard: Threaded mandrel and nosepiece M6
(optional also with M3, M4, M5, M8 or M10)
Operating instructions with spare parts list
Stroke table

Features

- Patented, drill-in and out system for threaded mandrels – time saving
- The compressed air used for the setting process is then used to automatically drill off the threaded mandrel – efficiently
- Simple stroke setting – safe and complete setting of the blind rivet nuts
- Setting process: Hydraulic in an axial stroke action – no twisting or turning of the blind rivet nuts and no damage to the surface
- Easy one-hand operation – rational and fatigue-proof
- Pneumatic locking of threaded mandrel – fast change without tools
- Hydraulic head; aluminium with wear-proof cylinder surface
- Pneumatic cylinder: aluminium with impact-resistance plastic sheath

GBM 95 – Hydro-pneumatic blind rivet nut setting tool

GBM 95 – M6
Part no. **727 0143**

GBM 95 – M3
Part no. **727 0208**

GBM 95 – M4
Part no. **727 0194**

GBM 95 – M5
Part no. **727 0186**

GBM 95 – M8
Part no. **727 0178**

GBM 95 – M10
Part no. **727 0151**

Threaded mandrels

Article	Part no.
Threaded mandrel M3	727 9108
Threaded mandrel M4	727 9116
Threaded mandrel M5	727 9124
Threaded mandrel M6	727 9132
Threaded mandrel M8	727 9140
Threaded mandrel M10	727 9159

Nosepieces

Article	Part no.
Nosepiece M3	727 9167
Nosepiece M4	727 9175
Nosepiece M5	727 9183
Nosepiece M6	727 9191
Nosepiece M8	727 9205
Nosepiece M10	727 9213

Conversion kit for blind rivet nut studs

	Part no.	BRN thread protrusion	
		min.	max.*
M4	727 1409	8	22
M5	727 1417	9	22
M6	727 1425	10	22
M8	727 1433	12	22
M10	727 1441	14	22

* A correspondingly extended nosepiece must be used for thread protrusions > 22 mm.

Screw nosepiece for conversion kit

Article	Part no.
Screw nosepiece M4	727 1301
Screw nosepiece M5	727 1328
Screw nosepiece M6	727 1336
Screw nosepiece M8	727 1344
Screw nosepiece M10	727 1352

Screw insert for conversion kit

Article	Part no.
Screw insert M4	727 1298
Screw insert M5	727 1360
Screw insert M6	727 1379
Screw insert M8	727 1387
Screw insert M10	727 1395