

Blind rivet hand tool

GBM 10



Working range

Blind rivet nuts from M3* up to M6 alu and up to M5 steel, brass and stainless steel

Technical data

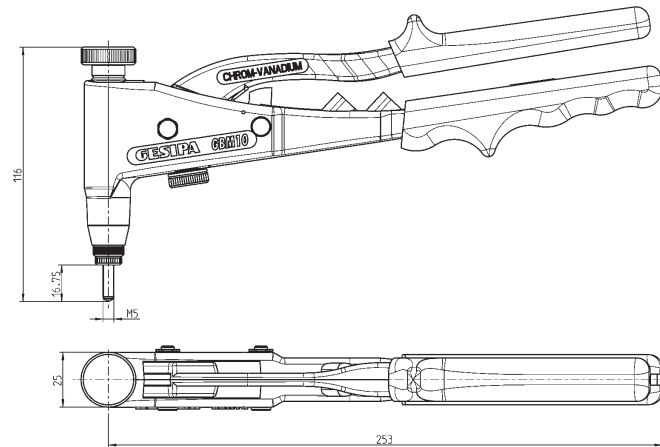
Weight: 600 g
Total length: 260 mm
Stroke: 7 mm

Accessories

Standard: Threaded mandrel and nosepiece M5 (optional also with M4 or M6)
Maintenance instructions with spare parts list
Stroke table

Features

- Simple lift setting via a knurled nut for safe and complete setting of the blind rivet nuts
- Threaded mandrel protection via spring ring for fast tool-free replacement of the threaded mandrel
- With opening spring for simple handling
- Body in high-quality die cast aluminium
- Body head made of forged chrome-vanadium steel
- Ergonomic handles



*Threaded mandrel and nosepiece M3 also available as special accessories

Blind rivet hand tool

Threaded mandrels and nosepieces

Article	Part no.
Threaded mandrel M4	720 2407
Threaded mandrel M5	720 2504
Threaded mandrel M6	720 2601
Nosepiece M4	720 2415
Nosepiece M5	720 2512
Nosepiece M6	720 2628

*Threaded mandrel and nosepiece M3 also available as special accessories

GBM 10 – M5
Part no. 720 0013
GBM 10 – M4
Part no. 720 0056
GBM 10 – M6
Part no. 720 0064

Blind rivet nut box

GBM 10 with threaded mandrel and nosepiece M5

including threaded mandrels and nosepieces M 4 and M 6, different blind rivet nut dimensions M 4 to M 6 made of alu for joint thicknesses of 0.25 to 3 mm.

Incl. 4 blind rivet nut sizes:

Alu M4 x 6 x 11.0 mm
Alu M5 x 7 x 11.5 mm
Alu M5 x 7 x 13.5 mm
Alu M6 x 9 x 15.5 mm



Part no. 753 0013