

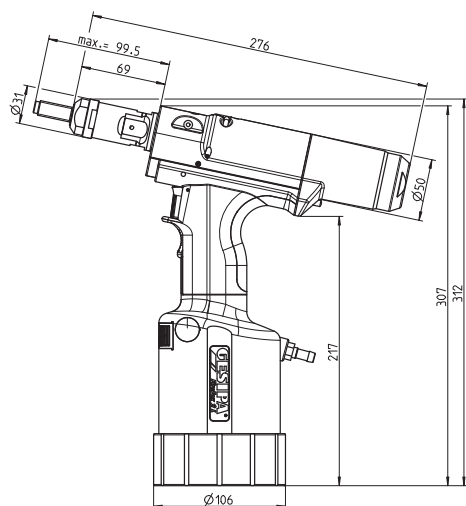
FireFox® 2 L

The solution for special applications

As a version of the FireFox® 2, the FireFox® 2 L has been specially designed for setting blind rivet nuts with left-hand thread.

Working range

M3 to M10 blind rivet nuts all materials and M12 in aluminium and steel



Technical data

Weight: 2.4 kg
 Adjustable stroke, max: 10 mm
 Adjustable traction force, max: 18,5 kN at 5 bar
 Operating air pressure: 5-7 bar
 Air hose connection: 6 mm Ø (1/4")
 Air consumption: approx. 2 to 4 lit. per cycle (depending on nut size)

Scope of delivery

2 double open ended wrenches SW 24/27
 1 hexagon screwdriver SW 4
 1 oil refill can with hydraulic oil 100 ml
 1 oil refill can
 Operating instructions with spare parts list

FireFox® 2 L – the hydro-pneumatic blind rivet nut setting tool with left-hand thread

Equipment

Threaded mandrel and nosepiece choice from M3 to M12

Accessoires

- Adapter for use with hexagon socket cylinder
- screws DIN EN ISO 4762 as threaded mandrel
- from M4 to M8
- Adapter for setting blind rivet nut studs, M4 to M8
- Adapter for setting crimp nuts from M4 to M8
- Nosepieces and threaded mandrels in imperial or US dimensions
- Complete threaded mandrel and nosepiece sets

FireFox® 2 L – M6
Part no. 772 0023

FireFox® 2 L – M3
Part no. 772 0020

FireFox® 2 L – M4
Part no. 772 0021

FireFox® 2 L – M5
Part no. 772 0022

FireFox® 2 L – M8
Part no. 772 0024

FireFox® 2 L – M10
Part no. 772 0025

FireFox® 2 L – M12
Part no. 772 0026

Threaded mandrels

Description	Part no.
Threaded mandrel M3	772 1329
Threaded mandrel M4	772 1330
Threaded mandrel M5	772 1331
Threaded mandrel M6	772 1332
Threaded mandrel M8	772 1333
Threaded mandrel M10	772 1334
Threaded mandrel M12	772 1335

Nosepieces

Description	Part no.
Nosepiece M3	772 1053
Nosepiece M4	772 1054
Nosepiece M5	772 1055
Nosepiece M6	772 1056
Nosepiece M8	772 1057
Nosepiece M10	772 1058
Nosepiece M12	772 1059