

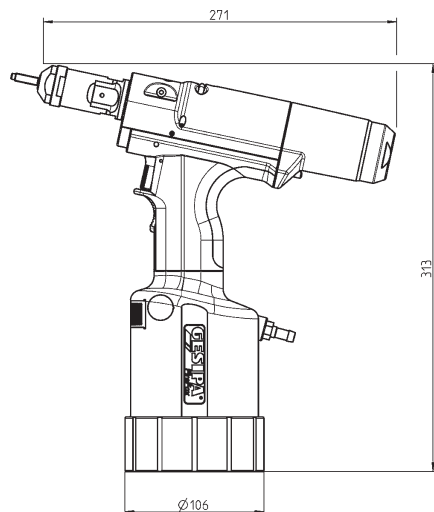
FireFox® 2

The ultimate hydro-pneumatic blind rivet nut setting tool

With its FireFox® 2 GESIPA® is setting standards in the field of blind rivet nut setting. The tool can be controlled either through a stroke adjustment or through pulling force limitation. Especially the latter provides a safe anchorage of the blind rivet nut in its hole, while preserving both application materials and inner thread with high process safety.

Working range

Blind rivet nuts from M3 up to M10 all materials as well as M12 in aluminium and steel



Technical data

Weight: 2.4 kg
 Adjustable stroke, max: 10mm
 Adjustable traction force, max: 18,5 kN at 5 bar
 Operating air pressure: 5-7 bar
 Air hose connection: 6 mm Ø (1/4")
 Air consumption: approx. 2 to 4 ltr. per rivet nut (depending on nut size)

Scope of delivery

2 double open ended wrenches SW 24/27
 1 hexagon screw driver SW 4
 1 oil refill can with hydraulic oil 100 ml
 1 oil refill can
 Operating instructions with spare parts list



FireFox® 2 – The ultimate hydro-pneumatic blind rivet nut setting tool

Equipment

Threaded mandrel and nosepiece choice from M3 to M12

Accessories

- Adapter for use with hexagon socket cylinder screws DIN EN ISO 4762 as threaded mandrel from M4 to M8
- Adapter for setting blind rivet nut studs, M4 to M8
- Adapter for setting crimp nuts from M4 to M8
- Nosepieces and threaded mandrels in imperial or US dimensions
- Complete threaded mandrel and nosepiece sets

FireFox® 2 – M6
Part no. 772 0001

FireFox® 2 – M3
Part no. 772 0002

FireFox® 2 – M4
Part no. 772 0003

FireFox® 2 – M5
Part no. 772 0004

FireFox® 2 – M8
Part no. 772 0005

FireFox® 2 – M10
Part no. 772 0006

FireFox® 2 – M12
Part no. 772 0007

Threaded mandrels

Article	Part no.
Threaded mandrel M3	772 1046
Threaded mandrel M4	772 1047
Threaded mandrel M5	772 1048
Threaded mandrel M6	772 1049
Threaded mandrel M8	772 1050
Threaded mandrel M10	772 1051
Threaded mandrel M12	772 1052

Article	Part no.
Threaded mandrel 6-32 UNC	772 1101
Threaded mandrel 8-32 UNC	772 1102
Threaded mandrel 10-24 UNC	772 1103
Threaded mandrel 10-32 UNF	772 1104
Threaded mandrel 1/4"-20 UNC	772 1105
Threaded mandrel 5/16"-18 UNC	772 1106
Threaded mandrel 3/8"-16 UNC	772 1107

Nosepieces

Article	Part no.
Nosepiece M3	772 1053
Nosepiece M4	772 1054
Nosepiece M5	772 1055
Nosepiece M6	772 1056
Nosepiece M8	772 1057
Nosepiece M10	772 1058
Nosepiece M12	772 1059

Article	Part no.
Nosepiece 6-32 UNC	772 1108
Nosepiece 8-32 UNC	772 1109
Nosepiece 10-32 UNF	772 1110
Nosepiece 1/4"-20 UNC	772 1111
Nosepiece 5/16"-18 UNC	772 1112
Nosepiece 3/8"-16 UNC	772 1113