

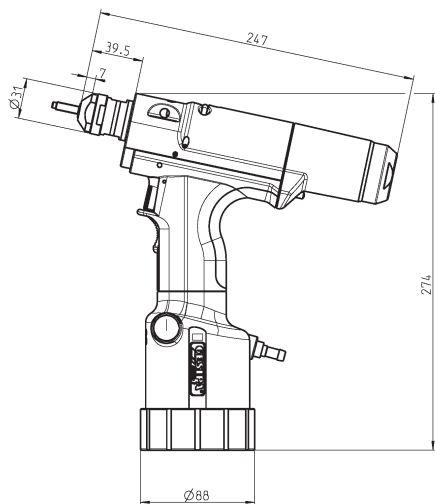
# FireFox® 1

Available from end of 2013

The easier-to-handle little brother of the FireFox® has been developed to allow even smaller blind rivet nuts to be set optimally and without damaging the materials to be joined. The FireFox® is controlled exclusively by setting the setting power. The thread of the blind rivet nut is perfectly protected and the blind rivet nut is anchored securing in the material being joined. Thanks to the modular system, the FireFox® has the same ergonomic design, low-fatigue working and familiar reliability of GESIPA® processing devices as its big brother. The stability has been optimised using a new rubber base.



**NEW** With fast setting force presetting by using a new colour coding.



**NEW**



## Working range

Blind rivets from M3 to M5 all materials as well as M6 in aluminium

## Technical data

Weight: 1.96 kg  
 Maximum stroke: approx. 7,5 mm  
 Adjustable traction force: up to approx. 12 kN at 5 bar  
 Operating air pressure: 5-7 bar  
 Air hose connection: 6 mm Ø (1/4")  
 Air consumption: approx. 2 - 3 ltr. per setting process (depending on nutsizes)

## Scope of delivery

2 double open ended wrenches SW 24/27  
 1 hexagon screw driver SW 4  
 1 oil refill bottle with hydraulic oil 100 ml  
 1 oil refill can

# FireFox® 1 – hydro-pneumatic blind rivet nut setting tool for M3-M6

## Equipment

Threaded mandrel and nosepiece optional from M3 to M6

## Accessories

- Adapter for use of cylinder screws with hexagon socket DIN EN
- ISO 4762 as threaded mandrel from M4 to M8
- Adapter for setting blind rivet screws, M4 to M8
- Nosepieces and threaded mandrels in imperial or US dimensions

**FireFox® 1 – M3**  
**Part no. 773 0001**

**FireFox® 1 – M4**  
**Part no. 773 0002**

**FireFox® 1 – M5**  
**Part no. 773 0003**

**FireFox® 1 – M6**  
**Part no. 773 0004**

## Threaded mandrels

Article	Part no.
Threaded mandrel M3	772 1046
Threaded mandrel M4	772 1047
Threaded mandrel M5	772 1048
Threaded mandrel M6	772 1049

Article	Part no.
Threaded mandrel 6-32 UNC	772 1101
Threaded mandrel 8-32 UNC	772 1102
Threaded mandrel 10-24 UNC	772 1103
Threaded mandrel 10-32 UNF	772 1104

## Nosepieces

Article	Part no.
Threaded mandrel M3	772 1053
Threaded mandrel M4	772 1054
Threaded mandrel M5	772 1055
Threaded mandrel M6	772 1056

Article	Part no.
Nosepiece 6-32 UNC	772 1108
Nosepiece 8-32 UNC	772 1109
Nosepiece 10-32 UNF	772 1110

