

# FireFly

**Force and intelligence for setting blind rivet nuts**



## Smart handling

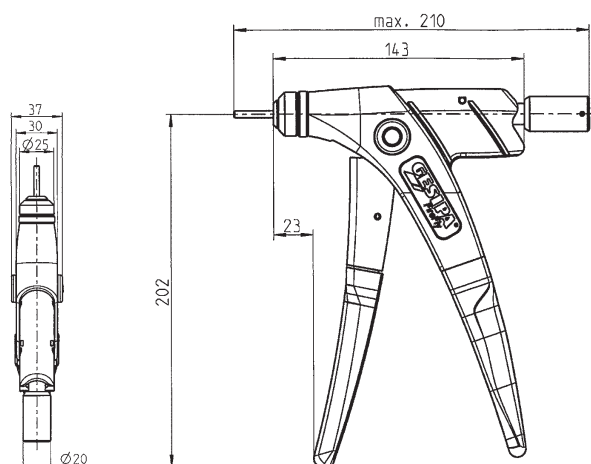
- The well-proven principle of operation of the GESIPA® hand riveting tool Flipper® spares up to 40% of the hand force for setting blind rivet nuts
- A special lever design as well as the ratchet mechanism provide a reduction of hand force
- Exchange of nosepiece and threaded mandrel
- The total stroke is 9 millimeter long for setting of new generation multigrip blind rivet nuts like new the GESIPA® PolyGrip® blind rivet nuts
- Tool-free setting of stroke and threaded mandrel lengths allows simple setting of blind rivets of different lengths

## Working range

Blind rivet nuts from M3 up to M6 aluminium as well as from M3 up to M5 steel

## Technical data

Total stroke: 9 mm  
Single action stroke: 1,8 mm  
Weight: 750 g



## FireFly – Accessories

### FireFly – The comprehensive one

Equipped with M5 nosepiece and threaded mandrel in plastic carrying case, with 2 mini packs alu blind rivet nuts M4 and M5 as well as nosepiece and threaded mandrel M4, operating instructions and stroke adjustment list

**Part no. 752 0001**



### Refill mini packs for blind rivet nuts

M4 x 6 x 13,0  
**Part no. 641 4200**

M5 x 7 x 13,5  
**Part no. 641 4210**

### Retrofit set for blind rivet nut studs

	Part no.	BRN thread protrusion	
		min.	max.*
M4	<b>702 1027</b>	8	22
M5	<b>702 1028</b>	9	22
M6	<b>702 1029</b>	10	22

\* A corresponding extended nosepiece must be used for thread protrusions > 22 mm.

### Threaded mandrels and nosepieces

Article	Part no.
Threaded mandrels M3	<b>702 1015</b>
Threaded mandrels M4	<b>702 1014</b>
Threaded mandrels M5	<b>702 1013</b>
Threaded mandrels M6	<b>702 1026</b>
Threaded mandrels M3	<b>702 1008</b>
Threaded mandrels M4	<b>702 1007</b>
Threaded mandrels M5	<b>702 1006</b>
Threaded mandrels M6	<b>702 1010</b>

Article	Part no.
Threaded mandrels 6 - 32 UNC	<b>702 2001</b>
Threaded mandrels 8 - 32 UNC	<b>702 2002</b>
Threaded mandrels 10 - 24 UNC	<b>702 2003</b>
Threaded mandrels 10 - 32 UNF	<b>702 2004</b>
Threaded mandrels 1/4" - 20 UNC	<b>702 2005</b>
Nosepiece insert 6 - 32 UNC	<b>702 2006</b>
Nosepiece insert 8 - 32 UNC	<b>702 2007</b>
Nosepiece insert 10 - 24 UNC	<b>702 2008</b>
Nosepiece insert 1/4" - 20 UNC	<b>702 2009</b>

The nosepiece insert 10 - 24 UNC can be used for threaded mandrels 10 - 24 UNC and 10-32 UNF

### FireFly in cardboard



Equipped with a nosepiece and threaded mandrel, operating instructions and stroke table

Article	Part no.
FireFly M5 in card-board box	<b>752 0002</b>
FireFly M3 in card-board box	<b>752 0003</b>
FireFly M4 in card-board box	<b>752 0004</b>
FireFly M6 in card-board box	<b>752 0006</b>
FireFly 6 - 32 UNC in card-board box	<b>752 0007</b>
FireFly 8 - 32 in card-board box	<b>752 0008</b>
FireFly 10 - 24 UNC in card-board box	<b>752 0009</b>
FireFly 10 - 32 UNF in card-board box	<b>752 0010</b>
FireFly 1/4" - 20 UNC in card-board box	<b>752 0011</b>