

FireBird®

The well-proven blind rivet nut setting tool with Li-Ion energy



FireBird® with battery 14,4 Volt / 1,3 Ah and charger, in carrying case
Part no. 726 0032

FireBird® with two batteries 14,4 Volt / 1,3 Ah and charger, in carrying case
Part no. 726 0030

High performance

14.4 Volt rechargeable energy for flexible, cable-free use on building sites and industrial production

Safety first

- Drill-on of the blind rivet nut with reduced torque and automatic switch-off
- Triggering the setting process clearly separated from the drill-on action
- Automatic drill-out function after the end of the setting process
- Drill-off with high torque
- Sturdy, compact and shockproof tool housing

Ergonomics

- Fatigue-free working through well balanced weight repartition and ergonomic grip
- Easy stroke adjustment

With Li-Ion energy

- Battery with 1.3 Ah (standard) or power battery with 2.6 Ah as special accessory
- No memory-effect
- High energy yield due to high voltage
- Low weight allows for extremely easy and fast operation
- Extremely low self discharge
- New battery shape allow the tool to be stored standing on its battery

The fast one

- Simple and safe drilling of the blind rivet nuts
- Constant setting speed
- Automatic switchover from setting to drilling
- Fast and simple change system for threaded mandrels

The versatile one

M10 alu blind rivet nuts and up to M8 steel and up to M6 stainless steel

FireBird® – Battery powered blind rivet nut setting tool with 14,4 Volt Li-Ion battery

Working range

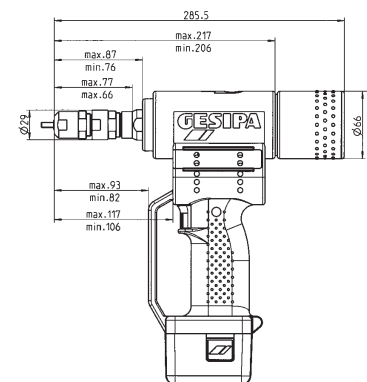
Blind rivet nuts up to M10 aluminium, up to M8 steel and up to M6 stainless steel

Technical data

Weight: 2.1 kg with battery
Traction power: 13.000 N
Drive: DC motor
Stroke: 5.5 mm

Accessories

Threaded mandrel and nosepiece M6 (in working position), 1 hexagonal wrench Threaded mandrel and nosepiece M4 and M5 (in magazine), 1 double open ended wrench SW 24/27



Power per battery charge/ Threaded mandrels and nosepieces

Blind rivet nuts inner thread	Material	approx. pc per charging process	Part no.	
			Threaded mandrel	Nosepiece
M3	Alu	480		
M3	Steel/Stainless steel	440	726 2019*	726 2086*
M4	Alu	420		
M4	Steel/Stainless steel	380	726 2027	726 2094
M5	Alu	380		
M5	Steel/Stainless steel	320	726 2035	726 2108
M6	Alu	320		
M6	Steel/Stainless steel	240	726 2043	726 2116
M8	Alu	270		
M8	Steel/Stainless steel	140	726 2051*	726 2124*
M10	Alu	240	726 2078*	726 2132*

* Available as special accessory

Charger 14,4 V Li-Ion

Part no. 725 1134



Technical data

Input voltage: 230 V / 50 Hz
Output voltage: 14.4 V DC
Recharging time: 50 to 100 minutes (battery depending)
Weight: 0.6 kg

Conversion kit for blind rivet nut studs

	Part no.	BRN thread protrusion	
		min.	max.*
M4	726 3015	8	22
M5	726 3023	9	22
M6	726 3031	10	22
M8	726 3058	12	22

* A corresponding extended nosepiece must be used for thread protrusions > 22 mm.

Charger 12 V NiCd

Part no. 725 1035

Battery 14,4 V/1,3 Ah (Li-Ion)

Part no. 725 1045

Weight: 0.35 kg

Power battery 14,4 V/2,6 Ah (Li-Ion)

Part no. 725 1049

Weight: 0.5 kg
available as special accessory

