

FireBird® Gold Edition

NEW



Available from the middle of 2014

FireBird® Gold Edition
with power battery 4,4 Volt / 2,6 Ah
and charger, in carrying case
Part no. 726 0001

High performance

The FireBird® for the flexible and cable-free use on building sites and industrial production is now available more stronger. The **FireBird® Gold Edition** sets blind rivet nuts up to M8 all materials with 18.000 N traction power.

Safety first

- Drill-on of the blind rivet nut with reduced torque and automatic switch-off
- Triggering the setting process clearly separated from the drill-on action
- Automatic drill-out function after the end of the setting process
- Drill-off with high torque
- Sturdy, compact and shockproof tool housing

Ergonomics

- Fatigue-free working through well balance weight repartition and ergonomic grip
- Easy stroke adjustment

With Li-Ionen-Energy

- Power battery with 2,6 Ah
- No memory-effect
- High energy yield due to high voltage
- Low weight allows for extremely easy and fast operation
- Extremely low self discharge
- New battery shape allow the tool to be stored standing on its battery

The fast one

- Simple and safe drilling of the blind rivet nuts
- Constant setting speed
- Automatic switchover from setting to drilling
- Fast and simple change system for threaded mandrels

FireBird® Gold Edition – Battery powered blind rivet nut setting tool with 18 kN traction power

Working range

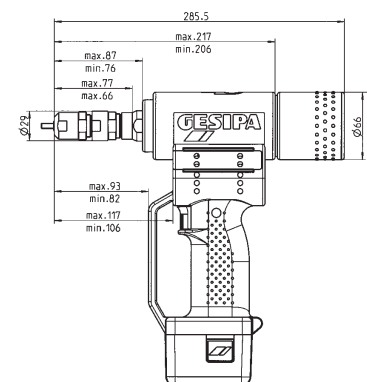
Blind rivet nuts up to M10 aluminium,
up to M8 steel

Technical data

Weight: 2.2 kg with battery
Traction power: 18.000 N
Drive: DC motor
Stroke: 5.5 mm

Accessoires

Threaded mandrel and nosepiece M6 (in working position), 1 hexagonal wrench
Threaded mandrel and nosepiece M4 and M5 (in magazine), 1 double open ended wrench SW 24/27



Power per battery charge/ Threaded mandrels and nosepieces

Blind rivet nuts inner thread	Material	approx. pc per charging process	Part no.	
			threaded mandrel	nosepiece
M3	alu	480		
M3	steel/stainless steel	440	726 2019*	726 2086*
M4	alu	420		
M4	steel/stainless steel	380	726 2027	726 2094
M5	alu	380		
M5	steel/stainless steel	320	726 2035	726 2108
M6	alu	320		
M6	steel/stainless steel	240	726 2043	726 2116
M8	alu	270		
M8	steel	140	726 2051*	726 2124*
M10	alu	240	726 2078*	726 2132*

* Available as special accessory

Charger 14,4 V Li-Ion

Part no. 725 1134



Technical data

Input voltage: 230 V / 50 Hz
Output voltage: 14.4 V DC
Recharging time: 50 to 100 minutes (battery depending)
Weight: 0.6 kg

Conversion kit for blind rivet nut studs

	Part no.	BRN thread protrusion	
		min.	max.*
M4	726 3015	8	22
M5	726 3023	9	22
M6	726 3031	10	22
M8	726 3058	12	22

* A corresponding extended nosepiece € 255.00 must be used for thread protrusions > 22 mm.

Charger 12 V NiCd/NiMh

Part no. 725 1035

Power battery 14,4 V/2,6 Ah (Li-Ion)

Part no. 725 1049

Weight: 0.5 kg
available as special accessory

