

Intelligent energy

As part of the implementation of Directive 2006/66/EC of the European Community on the withdrawal of NiCd batteries, GESIPA® decided in favour of the Lithium-Ion technology as a mobile power source for battery powered setting tools. GESIPA® switched over to the new technology two years ago.



Li-Ion batteries

The GESIPA® battery-powered setting tools AccuBird® and FireBird® are equipped as standard with a 1.3 Ah Li-Ion battery. The GESIPA® PowerBird® is supplied with a 2.6 Ah Li-Ion battery.

The powerful 2.6 Ah battery is also optionally available as a special accessory for the AccuBird® and FireBird®. Older tools can of course also be operated with the new Li-Ion batteries. Due to the different charging principle used in the Li-Ion technology, the charging unit must also be replaced when switching over to Li-Ion batteries; the proven charging units for NiCd batteries are however still available.

Charging technology

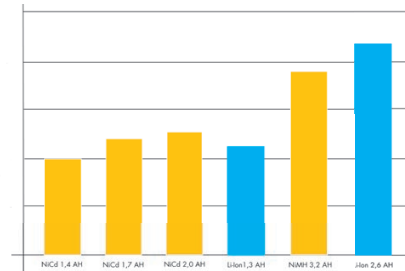
A special, intelligent circuit in the GESIPA® Li-Ion batteries protects against deep discharging, and ensures that the last setting cycle can be completed, before the battery signals its empty condition by switching off.

The empty battery is ready for use again after a charging time of only about one hour.

The new GESIPA® Li-Ion charging units are of course also available for the alternating voltages of 110 VAC and 230 VAC.



A comparison of the battery output



The most important advantages of Li-Ion technology

- Currently the most efficient mobile power supply
- Low weight
- High energy storage capacity (90-110 Wh/kg)
- Long storage capability due to low self-discharging
- No memory- or lazy-battery effect – low maintenance requirement
- Constant output voltage over the complete discharge period
- Large number of loading cycles
- Long service life

AccuBird®

The well-proven blind rivet setting tools with Li-Ion energy

AccuBird® with battery 14,4 V / 1,3 Ah and charger, in carrying case

Part no. 725 0037

AccuBird® with two batteries 14,4 V / 1,3 Ah and charger, in carrying case

Part no. 725 0019

AccuBird® – Production

- Developed and produced in Germany since 1992 by the inventor of the battery blind rivet setting tool

Reliability

- Electronic control
- No mechanical switching components
- Electronic temperature and overload protection
- High reliability through low loss power transmission via a highly efficient ball screw drive

Freedom

Cablefree tool for flexible operation in installation jobs and industry production



High performance

- 10.000 N setting force
- High pulling force for safe setting of blind rivets up to 5 mm diameter in all materials
- High yield per battery charge
- Large 20 mm stroke

Versatility

Blind rivets up to 5 mm Ø all materials. BULB-TITE® blind rivets 4 mm, 5,2 mm and 6,3 mm Ø alu and steel

High speed

- High speed of operation through automatic resetting of the jaw mechanism immediately after each setting process

With Li-Ion energy

- Choice of 1.3 Ah and 2.6 Ah Li-Ion batteries



AccuBird® – Rechargeable 14.4 volt riveting tool with Li-ion battery – Accessories

Working range

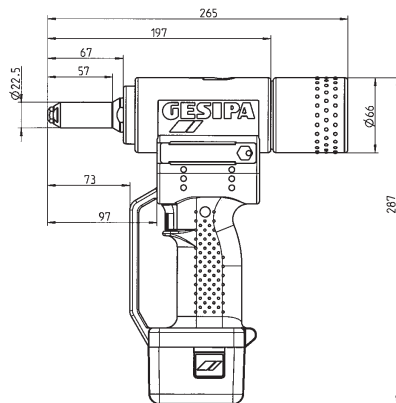
Blind rivets up to 5 mm Ø all materials.
BULB-TITE® blind rivets 4, 5.2 and 6.3 mm Ø alu and steel.

Nosepieces

17/24, 17/27, 17/29 and 17/32

Technical data

Weight: 2.0 kg with battery
Stroke: 20 mm
Drive: DC motor
Traction power: 10,000 N



AccuBird® with battery 14,4 V / 1,3 Ah and charger, in cardboard box

Part no. 725 0029

AccuBird® with battery 14,4 V / 1,3 Ah, in cardboard box

Part no. 725 0010

AccuBird® with battery 14,4 V / 1,3 Ah and charger with spring loaded trigger system in carrying case

Part no. 725 0015

Charger 14,4 V Li-Ion

Part no. 725 1134



Technical data

Input voltage: 230 V / 50 Hz
Output voltage: 14.4 V DC
Recharging time: 50 to 100 minutes (battery depending)
Weight: 0.6 kg

Battery 14,4 V/1,3 Ah (Li-Ion)

Part no. 725 1045

Weight: 0,35 kg

Power battery 14,4 V/2,6 Ah (Li-Ion)

Part no. 725 1049

Weight: 0.5 kg
available as special accessory



Charger 12 V NiCd

Part no. 725 1035

AccuBird® – Rechargeable 14.4 volt riveting tool with Li-ion battery – Accessories

Nosepiece – power per battery charge

Rivet Ø in mm	Material	approx. pc/battery charge	Nose-piece	Part no.
2.4	Alu	1.500	17/18*	725 2075
3.2	CAP-Alu, CAP-Cu	1.000	17/18*	725 2075
3 und 3.2	Alu	800	17/24	725 1583
3 und 3.2	Steel	800	17/24	725 1583
3 und 3.2	Stainless steel	800	17/24	725 1583
4	Alu	800	17/24	725 1583
4	Steel	700	17/27	725 2040
4	Stainless steel	640	17/29	725 2059
4.8 und 5	Alu	550	17/29	725 2059
4.8 und 5	Steel	420	17/32	725 2067
4.8 und 5	Stainless steel	320	17/36*	725 2083
6	Alu	240	17/36*	725 2083

BULB-TITE® rivet Ø in mm	Material	approx. pc/battery charge	Nose-piece	Part no.
4	Alu	1.000	17/26 BT*	725 2202
5,2	Alu	800	17/32 BT*	725 2210
6.3	Alu	600	17/42 BT*	725 2229
6.3	Steel	300	17/42 BT*	725 2229

* available a special accessory
Special design nosepieces are available on request
Information about nosepiece allocations are valid for DIN compliant and GESIPA® blind rivets.

Universal nosepiece – 17

To suit AccuBird®

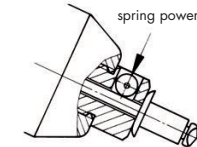
Part no. 725 1637



Detailed information can be found on page 133.

Special accessory: Retaining nosepiece

- Inserted rivet remains in any position
- Rivets may be set with only one hand
- Safer working



Retaining nosepiece	Part no.	Retaining nosepiece	Part no.
17/18 R	725 4078	17/29 R	725 4108
17/24 R	725 4086	17/32 R*	725 4116
17/27 R	725 4094	17/36 R*	725 4124

*also for PowerBird®

One-piece, slim extension unit

for setting rivets in deep positions and with difficult access

approx. 117 mm, Ø 22,5 mm

Part no. 725 1056

approx. 167 mm, Ø 22,5 mm

Part no. 725 1057



Extended spent mandrel container, to suit AccuBird® and PowerBird®

Part no. 725 9328



Changeover set (part 50) for BULB-TITE® blind rivets:

Part 54 (jaw pusher), Part 55 (jaws) and 3 nosepieces

Part no. 725 9290

Jaws (3 parts)

Part no. 725 1613