

Special nosepieces for blind rivet setting tools

(Delivery times on request)

Plate nosepieces (for riveting soft and fragile materials)

Plate nosepiece P without cut-out

Rivet Ø	Rivet material	Ø d	Designation	SN 2, HN 2, PH 1, PH 2, PH 2-KA, PH-Axial, PH 2000		TAURUS® AccuBird® PowerBird®	
				Article no. Dome head	Designation	Article no.	Article no.
3 and 3,2	Al, Cu, steel, stainless steel, Stinox, Al/Al, PG Al, PG steel	2,4	P 16/24	710 1236	P 17/24	725 3209	
4	Al, Cu, CAP Al, CAP Cu	2,4	P 16/24	710 1236	P 17/24	725 3209	
4	Steel, Al/ Al, PG Al	2,7	P 16/27	710 1279	P 17/27	725 3217	
4	Stainless steel, Stinox, PG steel	3,0	P 16/29	710 1287	P 17/29	725 3225	
4,8 and 5	Al, CAP Al, CAP Cu, PG Al	3,0	P 16/29	710 1287	P 17/29	725 3225	
4,8 and 5	Steel, Al/ Al	3,35	P 16/32	710 1384	P 17/32	725 3233	
4,8 and 5	Stainless steel, Stinox, PG steel	3,6	P 16/36	710 1376	P 17/36	725 3241	
6	Al	3,6	P 16/36	710 1376	P 17/36	725 3241	

Plate nosepiece P without cut-out for countersunk head blind rivets

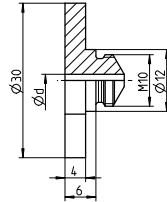
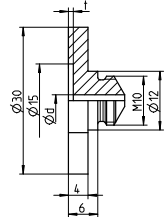


Plate nosepiece PA with cut-out

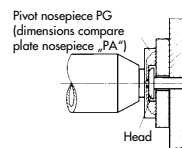
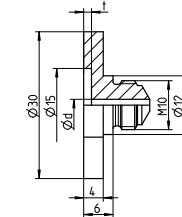
Rivet Ø	Rivet material	Ø d	Designation	Depth t	SN 2, HN 2, PH 1, PH 2, PH 2-KA, PH-Axial, PH 2000		TAURUS® AccuBird® PowerBird®	
					Article no. Dome head	Designation	Depth t	Article no.
3 and 3,2	Al, Cu, steel, stainless steel, Stinox, Al/Al, PG Al, PG steel	2,4	PA 16/24	1,0	710 1430	PA 17/24	1,0	725 3101
4	Al, Cu, CAP Al, CAP Cu	2,4	PA 16/24	1,0	710 1430	PA 17/24	1,0	725 3101
4	Steel, Al/ Al, PG Al	2,7	PA 16/27	1,0	710 1473	PA 17/27	1,0	725 3128
4	Stainless steel, Stinox, PG steel	3,0	PA 16/29	1,1	710 1503	PA 17/29	1,1	725 3306
4,8 and 5	Al, CAP Al, CAP Cu, PG Al	3,0	PA 16/29	1,1	710 1503	PA 17/29	1,1	725 3306
5	Al large flange K 11 and K 14	3,0	PA 16/29 K	1,5	710 1309	PA 17/29 K	1,5	725 3136
4,8 and 5	Steel, Al/ Al	3,35	PA 16/32	1,1	710 1317	PA 17/32	1,1	725 3144
4,8 and 5	Stainless steel, Stinox, PG steel	3,6	PA 16/36	1,1	710 1562	PA 17/36	1,1	725 3152
6	Al	3,6	PA 16/36	1,3	710 1619	PA 17/36	1,3	725 3152

Plate nosepiece PA with cut-out for standard blind rivets (dome head)



Pivot nosepieces PG for the production of articular rivet connections

Rivet Ø	Rivet material	Ø d	Designation	Depth t	SN 2, HN 2, PH 1, PH 2, PH 2-KA, PH-Axial, PH 2000		TAURUS® AccuBird® PowerBird®	
					Article no. Dome head	Designation	Depth t	Article no.
3 and 3,2	Al, Cu, steel, stainless steel, Stinox, Al/Al, PG Al, PG steel	2,4	PG 16/24	1,6	710 1570	PG 17/24	1,6	725 3020
4	Al, Cu, CAP Al, CAP Cu	2,4	PG 16/24	1,6	710 1570	PG 17/24	1,6	725 3020
4	Steel, Al/ Al, PG Al	2,7	PG 16/27	1,6	710 1589	PG 17/27	1,6	725 3039
4	Stainless steel, Stinox, PG steel	3,0	PG 16/29	1,6	710 1333	PG 17/29	1,6	725 3276
4,8 and 5	Al, CAP Al, CAP Cu, PG Al	3,0	PG 16/29	1,6	710 1333	PG 17/29	1,6	725 3276
5	Al large flange K 11 and K 14	3,0	PG 16/29 K	2,0	710 1414	PG 17/29 K	2,0	725 3047
4,8 and 5	Steel, Al/ Al	3,35	PG 16/32	1,6	710 1325	PG 17/32	1,6	725 3055
4,8 and 5	Stainless steel, Stinox, PG steel	3,6	PG 16/36	1,6	710 1597	PG 17/36	1,6	725 3063
6	Al	3,6	PG 16/36	2,0	710 1627	PG 17/36	2,0	725 3284



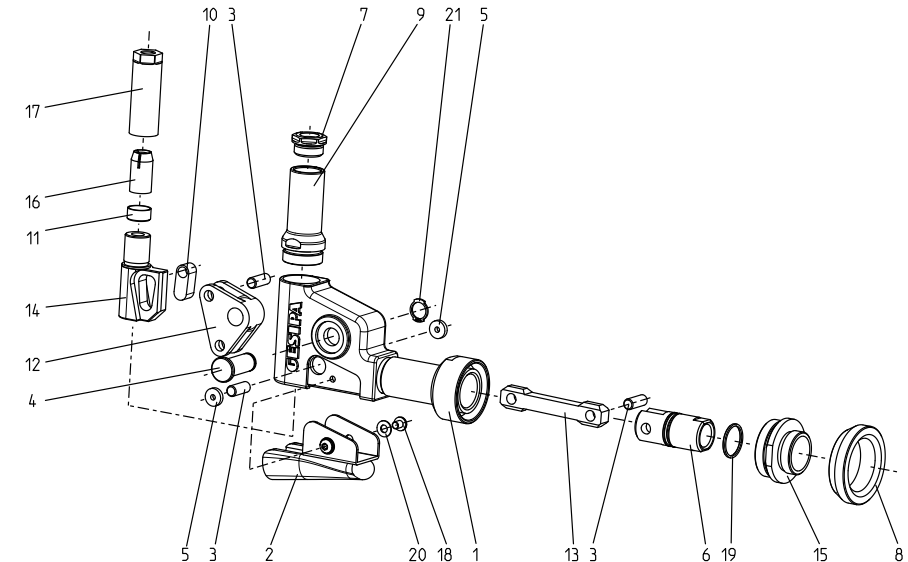
Lockbolt setting tools

TAURUS® 4 SRB with angle head 90° for 6.4mm (1/4") C6L and Magna-Grip® lockbolts

Article no. 758 0103 for C6L

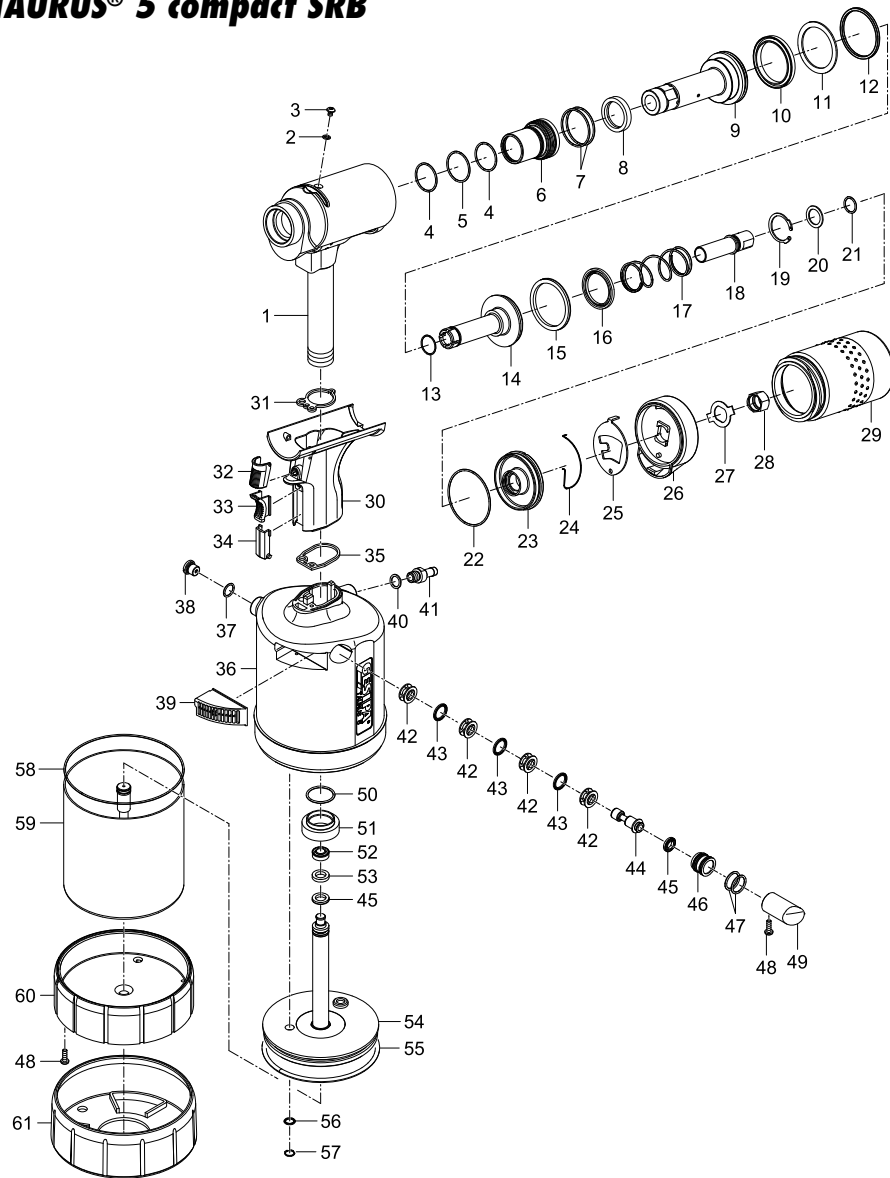
Article no. 758 0104 for Magna-Grip®

Spare part no.	Article no.	Designation
1	758 1291	Housing unit
2	758 1244	Protecting cap complete
3	758 1085	Bolt
4	758 1093	Bolt
5	758 1105	Spacer
6	758 1129	Fork head
7	758 1295	Nosepiece C6L
7	758 1204	Nosepiece Magna-Grip
8	758 1218	Ring
9	758 1296	Head
10	758 1167	Piece
11	758 1297	Supporting ring C6L
11	758 1206	Supporting ring Magna-Grip
12	758 1172	Angle
13	758 1180	Lock activator
14	758 1298	Lock activator
15	758 1225	Adapter
16	758 1299	Jaw C6L
16	758 1205	Jaw Magna-Grip
17	758 1300	Housing
18	756 1229	Screw
19	756 1199	O-ring
20	719 9090	Washer
21	719 3610	Snap ring



Lockbolt setting tools

TAURUS® 5 compact SRB



Lockbolt setting tools

TAURUS® 5 compact SRB

Spare part no.	Article no.	Designation
1	760 1080	Housing
2	756 1229	Oil screw plug
3	756 1261	Sealing ring M4
4	760 1024	O-ring
5 *	760 1025	O-ring
6	760 1043	Seal holder, complete
7 *	760 1027	O-ring
8 *	760 1028	Rod seal
9	760 1015	Draw bar
10 *	760 1029	Piston seal
11 *	760 1032	Supporting ring
12 *	760 1031	Quad sealing ring
13	760 1026	O-ring
14	760 1044	Resetting piston, complete
15	760 1030	Piston seal
16 *	760 1033	Rod seal
17	760 1034	Spring
18	760 1009	Connecting piece
19	760 1035	Snap ring
20	760 1036	Washer
21	760 1022	O-ring
22	760 1023	O-ring
23	760 1013	End cap
24	760 1020	Retaining spring
25	760 1005	Retainer
26	760 1007	Adaptor
27	760 1004	Locking washer
28	760 1008	Connecting piece nut
29	760 1048	Spent mandrel container, complete
30	756 2098	Grip, complete
31 *	756 1016	Flat gasket 1

Spare part no.	Article no.	Designation
32	756 1520	Activation button
33	756 1539	Slider
34	756 2160	Orifice
35 *	756 1024	Flat gasket 2
36	760 1081	Air cylinder, complete
37	756 1030	O-ring
38	756 2136	Pressure relief valve, complete
39	758 1211	Silencer, complete
40	756 1970	Sealing ring
41	756 1938	Connecting nipple
42	756 1628	Spacer cage
43	756 1601	Rod seal
44	756 1660	Control piston
45 *	756 1989	Piston seal
46	756 1687	Piston housing
47	756 2209	O-ring
48	725 2032	Screw
49	758 1068	Stopper
50	756 1032	O-ring
51	756 1040	Alu nut
52 *	757 1216	Piston seal
53 *	757 1127	Guide ring
54	758 1130	Air piston, complete
55 *	758 1173	O-ring
56	756 1431	Rod seal
57	757 1143	Snap ring
58	758 1157	O-ring
59	758 1149	Cylinder, complete
60	758 1017	Bottom
61	758 1064	Rubber foot

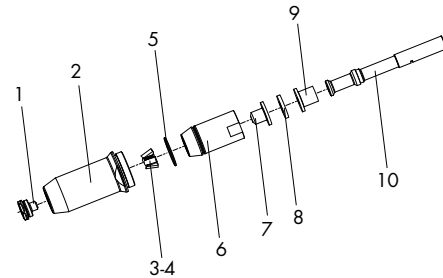
* Wearing parts

Lockbolt setting tools

Head modules TAURUS® 3 SRB for 4.8mm (3/16") C6L and Magna-Grip® lockbolts

Article no. 758 1230 for C6L
Article no. 758 1231 for Magnagrip®

Spare part no.	Article no.	Designation
1	760 1074	Nosepiece
2	758 1229	Head
3	756 1172	Jaws (3-part) for C6L
4	760 1078	Jaws (3-part) for Magna-Grip®
5	756 1199	O-ring
6	759 1009	Jaw housing
7	759 1007	Jaw pusher
8	759 1004	Damping ring
9	759 1008	Centre part
10	758 1043	Nozzle tube
	758 1238	Spent mandrel container complete

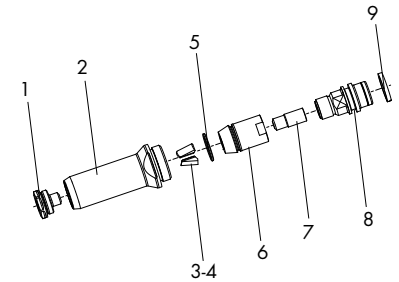


Lockbolt setting tools

Heads for PowerBird® SRB for 4.8mm (3/16") C6L and Magna-Grip® lockbolts

Article no. 724 2067 for C6L
Article no. 724 2068 for Magna-Grip®

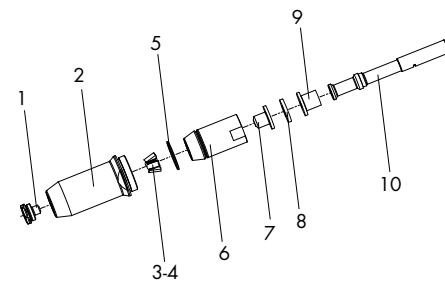
Spare part no.	Article no.	Designation
1	760 1074	Nosepiece
2	724 3036	Head
3	756 1172	Jaws (3-part) for C6L
4	760 1078	Jaws (3-part) for Magna-Grip®
5	756 1199	O-ring
6	756 1180	Jaw housing
7	724 3035	Jaw pusher
8	724 3138	Adaptor
9	725 1745	Wiper



Head modules TAURUS® 5 compact SRB for 4.8mm (3/16") C6L and Magna-Grip® lockbolts

Article no. 760 1070 for C6L
Article no. 760 1072 for Magnagrip®

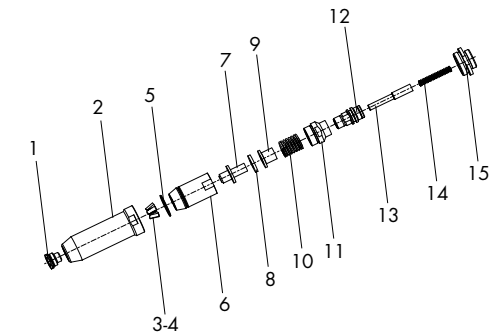
Spare part no.	Article no.	Designation
1	760 1074	Nosepiece
2	760 1076	Head
3	756 1172	Jaws (4-part) for C6L
4	760 1078	Jaws (4-part) for Magna-Grip®
5	760 1024	O-ring
6	760 1060	Jaw housing
7	760 1058	Jaw pusher
8	760 1054	Damping ring
9	760 1059	Centre part
10	760 1061	Nozzle tube, complete



for 6.4mm (1/4") C6L and Magna-Grip® lockbolts

Article no. 724 2065 for C6L
Article no. 724 2066 for Magnagrip®

Spare part no.	Article no.	Designation
1	760 1075	Nosepiece
2	724 3038	Head
3	760 1066	Jaws (5-part) for C6L
4	760 1067	Jaws (5-part) for Magna-Grip®
5	760 1024	O-ring
6	760 1077	Jaw housing
7	760 1051	Jaw pusher
8	760 1054	Damping ring
9	760 1052	Centre part
10	724 3041	Spring
11	724 3039	Connector
12	724 3138	Adaptor
13	724 3037	Ejector
14	724 3040	Spring
15	771 1004	Adaptor



for 6.4mm (1/4") C6L and Magna-Grip® lockbolts

Article no. 760 1071 for C6L
Article no. 760 1073 for Magnagrip®

Spare part no.	Article no.	Designation
1	760 1075	Nosepiece
2	760 1076	Head
3	760 1066	Jaws (5-part) for C6L
4	760 1067	Jaws (5-part) for Magna-Grip®
5	760 1024	O-ring
6	760 1077	Jaw housing
7	760 1051	Jaw pusher
8	760 1054	Damping ring
9	760 1052	Centre part
10	760 1055	Nozzle tube, complete

