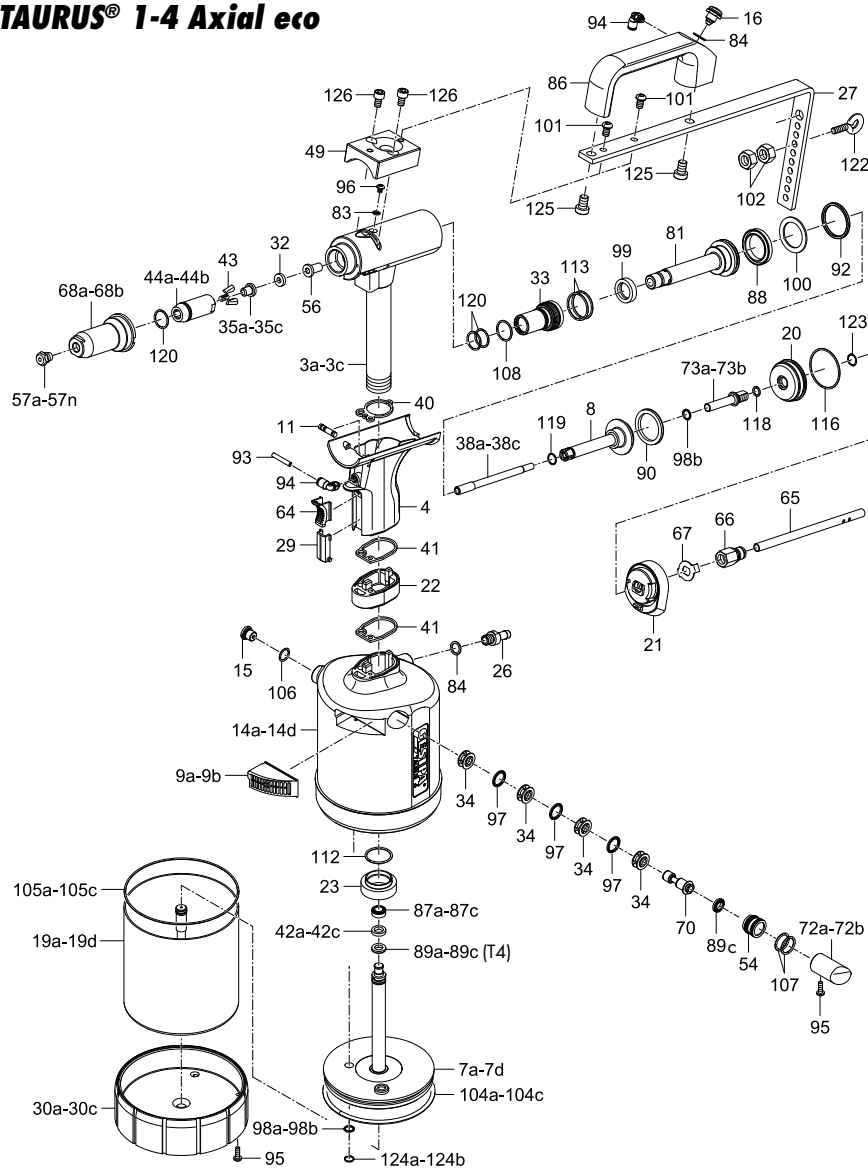


# Hydro-pneumatic blind rivet setting tools

## TAURUS® 1-4 Axial eco



# Hydro-pneumatic blind rivet setting tools

## TAURUS® 1-4 Axial eco

Spare part no.	TAURUS®-Type	Article no.	Designation
3a	T1	756 1183	Tool head 1, assembled
3b	T2, T3	757 1087	Tool head 2, assembled
3c	T4	759 1036	Tool head 4, assembled
4		757 1399	Grip AV, complete
7a	T1	756 2144	Air piston 1, complete
7b	T2	757 1267	Air piston 2, complete
7c	T3	758 1130	Air piston 3, complete
7d	T4	759 1005	Air piston 4, complete
8		756 2063	Resetting piston, complete
9a	T2	757 1348	Silencer 2, complete
9b	T3, T4	758 1211	Silencer 3, complete
11		756 2071	Distributing valve, complete
14a	T1	756 1242	Air cylinder 1 Axial eco
14b	T2	757 1242	Air cylinder 2 Axial eco
14c	T3	758 1242	Air cylinder 3 Axial eco
14d	T4	759 1242	Air cylinder 4 Axial eco
15		756 2136	Pressure relief valve, complete
16		715 8262	Valve, complete
19a	T1	756 2152	Cylinder 1, complete
19b	T2	757 1275	Cylinder 2, complete
19c	T3	758 1149	Cylinder 3, complete
19d	T4	759 1006	Cylinder 4, complete
20		756 1113	End cap
21		756 1849	Adapter
22	T4	759 1001	Grip extension
23		756 1040	Alu nut
26		756 1938	Connecting nipple
27		757 1179	Hanger
29		756 2160	Orifice
30a	T1	756 1059	Bottom 1
30b	T2	757 1011	Bottom 2
30c	T3, T4	758 1017	Bottom 3
32	T3, T4	759 1004	Damping ring 4
33		756 2055	Seal holder, complete
34		756 1628	Spacer cage
35a	T1	756 1164	Jaw pusher 1
35b	T2	757 1046	Jaw pusher 2
35c	T3, T4	759 1007	Jaw pusher 4
38a	T1	756 1156	Nozzle tube 1
38b	T2	757 1020	Nozzle tube 2, long
38c	T3, T4	758 1043	Nozzle tube 3, long
40		756 1016	Flat gasket 1
41		756 1024	Flat gasket 2
42a	T1	756 1768	Guide ring 1
42b	T2, T3	757 1127	Guide ring 2
42c	T4	759 1013	Guide ring 4
43		756 1172	Jaws, 3-part
44a	T1, T2	759 1009	Jaw housing
44b	T3, T4	759 1009	Jaw housing 4
49		757 1371	Holder
54		756 1687	Piston housing
56	T3, T4	759 1008	Centre part 4
57a		725 2075	Nosepiece 17/18
57b		725 1583	Nosepiece 17/24
57c		725 2040	Nosepiece 17/27
57d		725 2059	Nosepiece 17/29
57e		725 2067	Nosepiece 17/32
57f		725 2083	Nosepiece 17/36
57g		725 2560	Nosepiece 17/40
57h		724 3065	Nosepiece 17/45
57i		725 2202	Nosepiece 17/26 BT

• Wearing parts

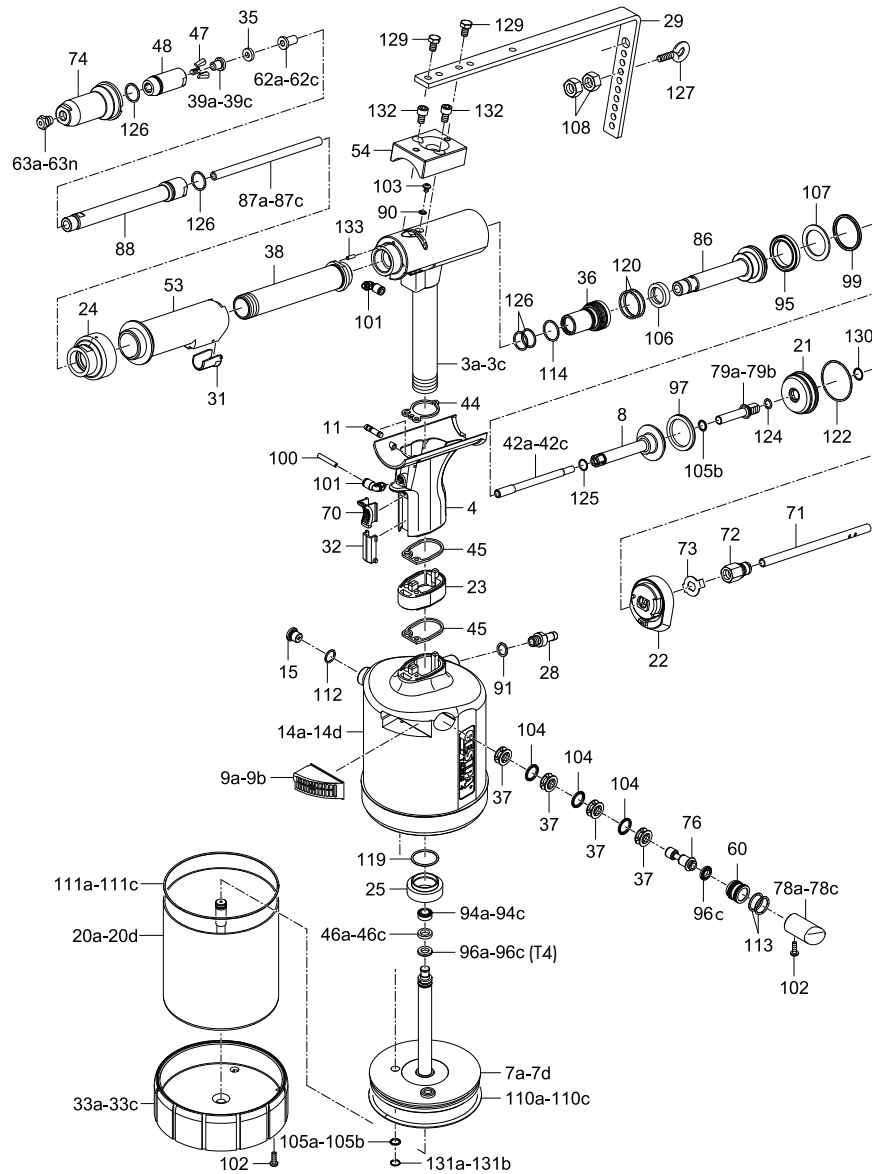
Spare part no.	TAURUS®-Type	Article no.	Designation
57j		725 2210	Nosepiece 17/32 BT
57k		725 2229	Nosepiece 17/42 BT
57l		725 2237	Nosepiece 17/48 BT
57m		725 2250	Nosepiece 17/31 MG
57n		724 3146	Nosepiece 17/41 MG
64		756 1539	Slider
65		757 1023	Hose
66		757 1347	Screw connection
67		757 1224	Locking washer
68a	T1, T2	756 1202	Head
68b	T3, T4	759 1010	Head 4
70		756 1660	Control piston
72a	T1	756 1636	Stopper 1
72b	T2	757 1070	Stopper 2
72c	T3, T4	758 1068	Stopper 3
73a	T1	757 1352	Connecting piece 1
73b	T2, T3, T4	757 1021	Connecting piece 2/3
81		756 1377	Draw bar
83		756 1261	Sealing ring
84		756 1970	Sealing ring
86		756 1181	Grip
87a	T1	756 1776	Piston seal
87b	T2, T3	757 1216	Piston seal
87c	T1	759 1014	Piston seal
88		756 1385	Piston seal
89a	T1	756 1741	Piston seal
89b	T2, T3	756 1989	Piston seal
89c		756 2012	Piston seal
90		756 1393	Piston seal
92		756 1031	Piston seal
93		719 5659	Tube
94		719 5672	Screw connection
95		725 2032	Housing screw, short
96		756 1229	Oil screw plug
97		756 1601	Rod seal
98a	T1	756 1784	Rod seal
98b	T2, T3, T4	756 1431	Rod seal
99		756 1369	Rod seal
100		756 1034	Supporting ring
101		757 1183	Fillister head screw
102		712 2383	Nut
104a	T1	756 1806	O-ring
104b	T2	757 1151	O-ring
104c	T3, T4	758 1173	O-ring
105a	T1	756 2039	O-ring
105b	T2	757 1194	O-ring
105c	T3, T4	758 1157	O-ring
106		756 1030	O-ring
107		756 2209	O-ring
108		756 1342	O-ring
112		756 1032	O-ring
113		715 8688	O-ring
116		756 1091	O-ring
118		756 1083	O-ring
119		756 1997	O-ring
120		756 1199	O-ring
122		719 0297	Screw
123		770 2426	Snap ring
124a	T1	756 1792	Snap ring
124b	T2, T3, T4	757 1143	V-profile ring
125		757 1180	Allen screw
126		719 7147	Allen screw

# Hydro-pneumatic blind rivet setting tools

# Hydro-pneumatic blind rivet setting tools

## TAURUS® 1-4 Axial

## TAURUS® 1-4 Axial



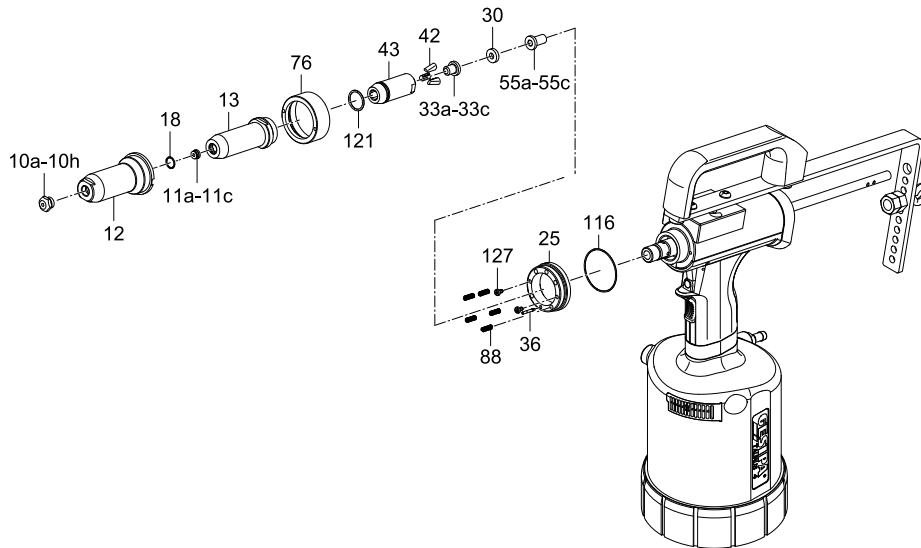
Spare part no.	TAURUS®-Type	Article no.	Designation
3a	T1	757 1396	Tool head 1, assembled
3b	T2, T3	757 1397	Tool head 2, assembled
3c	T4	757 1398	Tool head 4, assembled
4		757 1399	Grip FA, complete
7a	T1	756 2144	Air piston 1, complete
7b	T2	757 1267	Air piston 2, complete
7c	T3	758 1130	Air piston 3, complete
7d	T4	759 1005	Air piston 4, complete
8		756 2063	Resetting piston, complete
9a	T2	757 1348	Silencer 2, complete
9b	T3, T4	758 1211	Silencer 3, complete
11		756 2071	Distributing valve, complete
14a	T1	756 1241	Air cylinder 1 Axial
14b	T2	757 1241	Air cylinder 2 Axial
14c	T3	758 1241	Air cylinder 3 Axial
14d	T4	759 1241	Air cylinder 4 Axial
15		756 2136	Pressure relief valve, complete
20a	T1	756 2152	Cylinder 1, complete
20b	T2	757 1275	Cylinder 2, complete
20c	T3	758 1149	Cylinder 3, complete
20d	T4	759 1006	Cylinder 4, complete
21		756 1113	End cap
22		756 1849	Adapter
23	T4	759 1001	Grip extension
24		757 1369	Adapter
25		756 1040	Alu nut
28		756 1938	Connecting nipple
29		757 1368	Hanger
31		756 1520	Activation button
32		756 2160	Orifice
33a	T1	756 1059	Bottom 1
33b	T2	757 1011	Bottom 2
33c	T3, T4	758 1017	Bottom 3
35		759 1004	Damping ring 4
36		756 2055	Seal holder, complete
37		756 1628	Spacer cage
38		757 1370	Spacer
39a	T1	756 1058	Jaw pusher 1
39b	T2	757 1028	Jaw pusher 2
39c	T3, T4	759 1007	Jaw pusher 4
42a	T1	756 1156	Nozzle tube 1
42b	T2	757 1020	Nozzle tube 2, long
42c	T3, T4	758 1043	Nozzle tube 3, long
44		756 1016	Flat gasket 1
45		756 1024	Flat gasket 2
46a	T1	756 1768	Guide ring 1
46b	T2, T3	757 1127	Guide ring 2
46c	T4	759 1013	Guide ring 3
47		756 1172	Jaw, 3-part
48		759 1009	Jaw housing
53		757 1392	Grip
54		757 1371	Holder
60		756 1687	Piston housing
62a	T1	756 1060	Centre part 1
62b	T2	757 1029	Centre part 2
62c	T3, T4	759 1008	Centre part 4
63a		725 2075	Nosepiece 17/18
63b		725 1583	Nosepiece 17/24
63c		725 2040	Nosepiece 17/27
63d		725 2059	Nosepiece 17/29
63e		725 2067	Nosepiece 17/32
63f		725 2083	Nosepiece 17/36
63g		725 2560	Nosepiece 17/40
63h		724 3065	Nosepiece 17/45
63i		725 2202	Nosepiece 17/26 BT

Spare part no.	TAURUS®-Type	Article no.	Designation
63j		725 2210	Nosepiece 17/32 BT
63k		725 2229	Nosepiece 17/42 BT
63l		725 2237	Nosepiece 17/48 BT
63m		725 2250	Nosepiece 17/31 MG
63n		724 3146	Nosepiece 17/41 MG
70		756 1539	Slider
71		757 1023	Hose
72		757 1347	Screw connection
73		757 1224	Locking washer
74		759 1010	Head 4
76		756 1660	Control piston
78b	T1	756 1636	Stopper 1
78a	T2	757 1070	Stopper 2
78c	T3, T4	758 1068	Stopper 3
79a	T1	757 1352	Connecting piece 1
79b	T2, T3, T4	757 1021	Connecting piece 2/3
86		756 1377	Draw bar
87a	T1	757 1388	Adapter 1, ext. 150mm
87b	T2	757 1376	Adapter 2, ext. 150mm
87c	T3, T4	757 1389	Adapter 3, ext. 150mm
88		757 1377	Adapter, ext. 150mm
90		756 1261	Sealing ring M4
91		756 1970	Sealing ring
94a	T1	756 1776	Piston seal
94b	T2, T3	757 1216	Piston seal
94c	T4	759 1014	Piston seal
95		756 1385	Piston seal
96a	T1	756 1741	Piston seal
96b	T2, T3	756 1989	Piston seal
96c		756 2012	Piston seal
97		756 1393	Piston seal
99		756 1031	Piston seal
100		719 5659	Tube
101		719 5672	Screw connection
102		725 2032	Housing screw, short
103		756 1229	Oil screw plug
104		756 1601	Rod seal
105a	T1	756 1784	Rod seal
105b	T2, T3, T4	756 1431	Rod seal
106		756 1369	Rod seal
107		756 1034	Supporting ring
108		712 2383	Nut
110a	T1	756 1806	O-ring
110b	T2	757 1151	O-ring
110c	T3, T4	758 1173	O-ring
111a	T1	756 2039	O-ring
111b	T2	757 1194	O-ring
111c	T3, T4	758 1157	O-ring
112		756 1030	O-ring
113		756 2209	O-ring
114		756 1342	O-ring
119		756 1032	O-ring
120		715 8688	O-ring
122		756 1091	O-ring
124		756 1083	O-ring
125		756 1997	O-ring
126		756 1199	O-ring
127		719 0297	Screw
128		757 1384	Hexagonal screw
129		770 2426	Snap ring
130		757 1143	Snap ring
131a	T1	756 1792	Snap ring
131b	T2, T3, T4	757 1143	V-profile ring
132		719 7147	Allen screw
133		757 1383	Cylinder pin

• Wearing parts

## Hydro-pneumatic blind rivet setting tools

### Spring loaded trigger system for TAURUS® 1-4 Axial eco

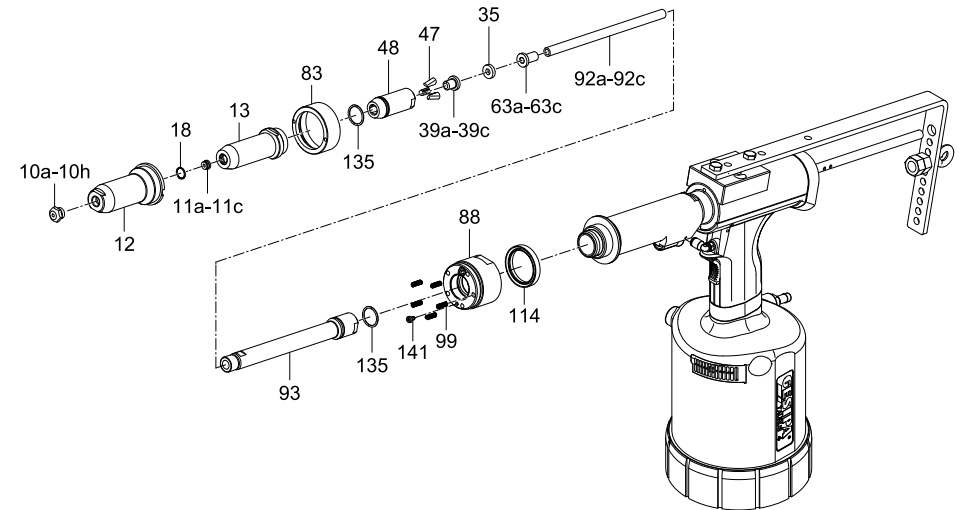


Spare part no.	TAURUS®-Type	Article no.	Designation
10a	T1	756 1212	Nosepiece 18
10b	T1	756 1213	Nosepiece 24
10c	T1, T2	756 1214	Nosepiece 27
10d	T2	756 1215	Nosepiece 29
10e	T2	756 1216	Nosepiece 32
10f	T2, T3, T4	756 1217	Nosepiece 36
10g	T2, T3, T4	756 1218	Nosepiece 40
10h	T2, T3, T4	756 1219	Nosepiece 45
11a	T1	756 1220	Nosepiece
11b	T2	756 1221	Nosepiece
11c	T3, T4	756 1222	Nosepiece
12		756 1001	Head
13		756 1002	Guiding sleeve
18		756 1186	Snap ring
25		756 1046	Receptacle
30		759 1004	Damping ring 4
33a	T1	756 1058	Jaw pusher 1
33b	T2	757 1028	Jaw pusher 2
33c	T3, T4	759 1007	Jaw pusher 4
36		756 1109	Stamp
42 •		756 1172	Jaws 3-part
43 •		759 1009	Jaw housing
55a	T1	756 1060	Centre part 1
55b	T2	757 1063	Centre part 2
55c	T3, T4	759 1008	Centre part 4
76		756 1047	Union nut
88		756 1049	Spring
116		756 1108	O-ring
121 •		756 1199	O-ring
127		756 1055	Allen screw

• Wearing parts

## Hydro-pneumatic blind rivet setting tools

### Spring loaded trigger system for TAURUS® 1-4 Axial



Spare part no.	TAURUS®-Type	Article no.	Designation
10a	T1	756 1212	Nosepiece 18
10b	T1	756 1213	Nosepiece 24
10c	T1, T2	756 1214	Nosepiece 27
10d	T2	756 1215	Nosepiece 29
10e	T2	756 1216	Nosepiece 32
10f	T2, T3, T4	756 1217	Nosepiece 36
10g	T2, T3, T4	756 1218	Nosepiece 40
10h	T2, T3, T4	756 1219	Nosepiece 45
11a	T1	756 1220	Nosepiece
11b	T2	756 1221	Nosepiece
11c	T3, T4	756 1222	Nosepiece
12		756 1001	Head
13		756 1002	Guiding sleeve
18		756 1186	Snap ring
35		759 1004	Damping ring 4
39a	T1	756 1058	Jaw pusher 1
39b	T2	757 1028	Jaw pusher 2
39c	T3, T4	759 1007	Jaw pusher 4
47 •		756 1172	Jaws 3-part
48 •		759 1009	Jaw housing 4
63a	T1	756 1060	Centre part 1
63b	T2	757 1063	Centre part 2
63c	T3, T4	759 1008	Centre part 4
83		756 1047	Union nut
88		757 1393	Valve body, complete
92a	T1	757 1388	Adapter 1, ext. 150mm
92b	T2	757 1376	Adapter 2, ext. 150mm
92c	T3, T4	757 1389	Adapter 3, ext. 150mm
93		757 1377	Adapter, ext. 150mm
99		756 1049	Spring
114		757 1382	Rod seal
135 •		756 1199	O-ring
141		757 1391	Allen screw

• Wearing parts