

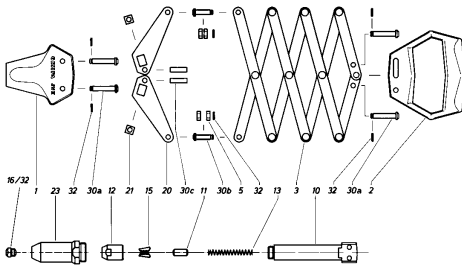
Blind rivet hand tools

SN 2 (up to April 2010)

Spare part no.	Article no.	Designation
1	712 2012	Housing
2	712 2020	Grip
3	712 2039	Lazy tongue
5	712 2055	Spacer ring
10	712 2101	Lock activator
11	712 2128	Jaw pusher
12	710 2127	Jaw housing
13 •	712 2136	Compression spring
15 •	710 2151	Jaws (3-part) per set
16/29	717 1293	Nosepiece
16/32	717 1323	Nosepiece
16/36	717 1366	Nosepiece
16/40	717 1390	Nosepiece
16/45	717 1455	Nosepiece
20	712 2209	Arm
21	712 2217	Slide block
23	710 2216	Head
30 a	712 2306	Bolt
30 b	712 2314	Bolt
30 c	712 2322	Bolt
32	712 2357	Snap ring
176	717 1773	Universal wrench MSU

• Wearing parts

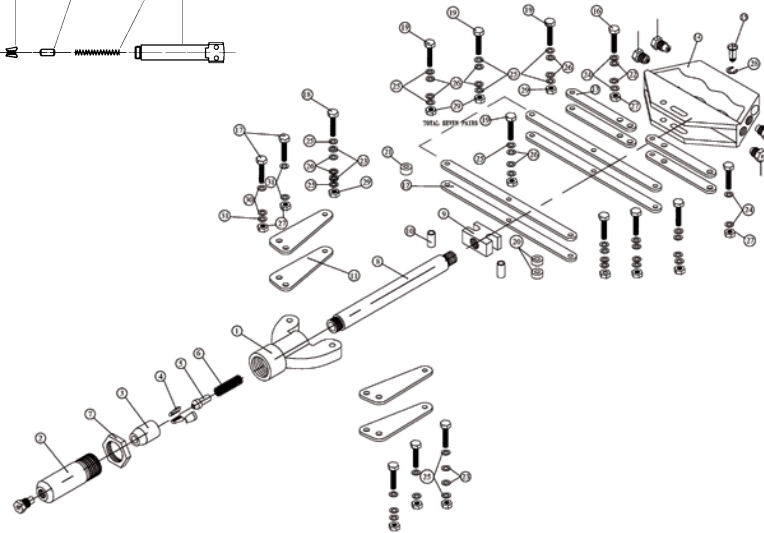
You will find detailed nosepiece allocation tables on page 42 - 46.



SN 2 (from May 2010)

Spare part no.	Article no.	Designation
1	712 2358	Housing
2	712 2359	Head
3	712 2360	Jaw housing
4 •	725 1613	Jaws (3-part)
5 •	712 2361	Jaw pusher
6 •	712 2362	Compression spring
7	712 2363	Locking nut
8	712 2364	Lock activator
10	712 2366	Sleeve, long
11	712 2367	Arm
12	712 2368	Lazy tongue segment, long
13	712 2369	Lazy tongue segment, short
14	712 2370	Grip
15	712 2371	Bolt
16	712 2372	Screw M6 x 37
17	712 2373	Screw M6 x 29
18	712 2374	Screw M5 x 29
19	712 2375	Screw M5 x 20.5
20	712 2376	Outer sleeve
21	712 2377	Inner sleeve
22	712 2378	Washer 6 x 1.8
23	712 2379	Washer 5 x 1.8
24	712 2380	Washer 6 x 12 x 1.0
25	712 2381	Washer 5 x 0.9
26	712 2382	Washer 5 x 0.5
27	712 2383	Nut M6
28	712 2384	Snap ring
29	712 2385	Nut M5
30	712 2386	Washer 6 x 9 x 0.7
31	712 2387	Washer 6 x 0.5
32	725 1583	Nosepiece 17/24
33	725 2040	Nosepiece 17/27
34	725 2059	Nosepiece 17/29
35	725 2067	Nosepiece 17/32
36	725 2083	Nosepiece 17/36
37	725 2560	Nosepiece 17/40
38	724 3065	Nosepiece 17/45

• Wearing parts



Battery powered blind rivet setting tools

AccuBird®

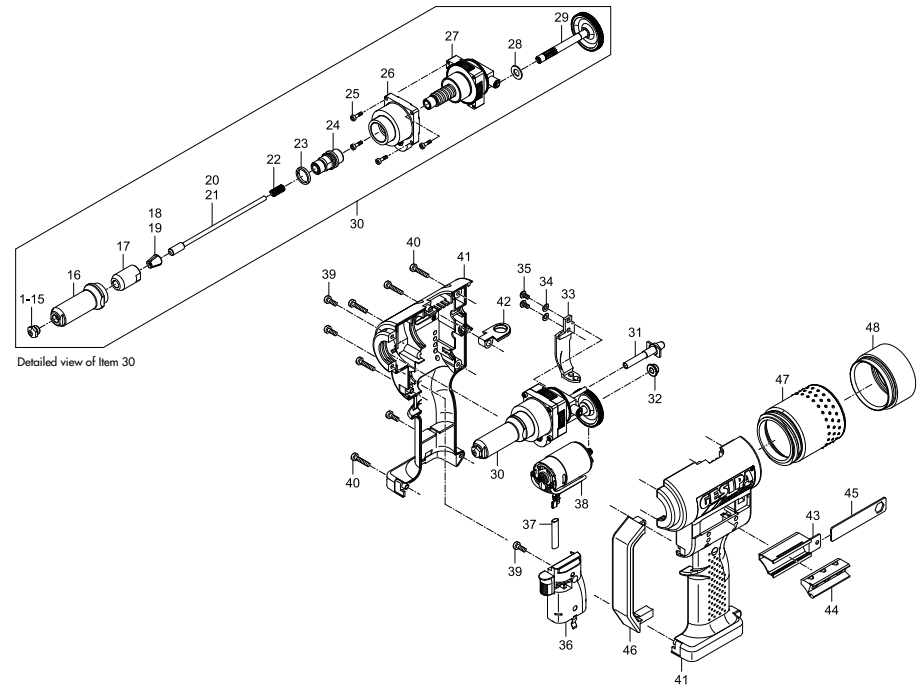
Spare part no.	Article no.	Designation
1	725 2075	Nosepiece 17/18
2	725 1583	Nosepiece 17/24
3	725 2040	Nosepiece 17/27
4	725 2059	Nosepiece 17/29
5	725 2067	Nosepiece 17/32
6	725 2083	Nosepiece 17/36
7	725 2202	Nosepiece 17/26 BT*
8	725 2210	Nosepiece 17/32 BT*
9	725 2229	Nosepiece 17/42 BT*
10	725 4078	Retaining nosepiece
11	725 4086	Retaining nosepiece
12	725 4094	Retaining nosepiece
13	725 4108	Retaining nosepiece
14	725 4116	Retaining nosepiece
15	725 4124	Retaining nosepiece
16	725 1591	Head
17	713 2123	Jaw housing
18 •	725 1613	Jaws (3-part)
19 •	715 1527	Jaws (3-part) BT
20 •	725 1621	Jaw pusher
21 •	725 2245	Jaw pusher BT
22 •	717 9693	Compression spring
23	725 1745	Wiper
24	725 1605	Adapter
25	725 1982	Allen screw
26	725 9185	Bearing, complete

* for Bulb-Tite® blind rivets

Spare part no.	Article no.	Designation
27	725 9142	Ballscrew drive, mounted
28	725 1753	Stop disc
29	725 9193	Pinion shaft, complete
30	725 9134	Drive complete (Items 2, 16, 17, 18, 20, 22 - 29)
31	725 1521	Plastic tube
32	725 1893	Sintered-metal bushing
33	725 9266	Magnetic holder, complete
34	725 2008	Spring washer
35	725 1990	Magnetic holder screw
36	725 1850	E-control
37	725 5066	Hose, silicone
38 •	725 9223	Motor, complete
39	725 2032	Housing screw, short
40	725 2024	Housing screw, long
41	725 9274	Housing, complete
42	725 5058	Hanger
43	725 5023	Nosepiece magazine
44	725 2091	Magazine insert
45	725 1834	Key
46	725 1540	Protection bracket
47	725 9282	Spent mandrel container, complete
48	725 9328	Extension
	725 9290	Changeover set for BULB-TITE (BT), complete
	725 2555	Safety lubricating grease, 40g tube

• Wearing parts

You will find detailed nosepiece allocation tables on page 42 - 46.



Detailed view of Item 30