

Hydro-pneumatic blind rivet setting tools

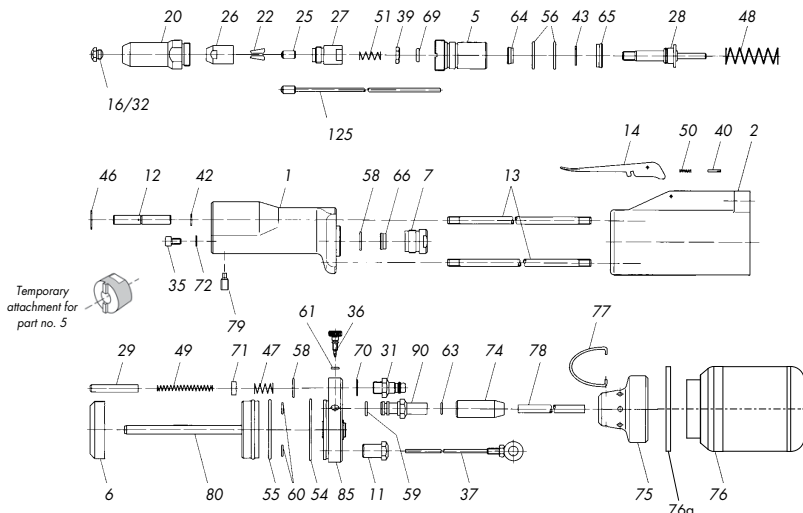
Hydro-pneumatic blind rivet setting tools

PH Axial

Spare part no.	Article no.	Designation
1	770 2019	Tool head
2	770 2027	Tool body
5	770 2051	Piston guide with wiper no. 69
	770 1063	Temporary attachment for part no. 5
6	770 2035	Damping ring
7	770 2078	Sealing ring mount
11	770 2116	Connection screw
12	770 2124	Guide tube
13	770 2132	Draw bar
14	770 2140	Release lever
16/24	717 1234	Nosepiece
16/27	717 1277	Nosepiece
16/29	717 1293	Nosepiece
16/32	717 1323	Nosepiece
16/36	717 1366	Nosepiece
20	710 2216	Head
22 *	710 2151	Jaws (3-part)
25 *	717 2079	Jaw pusher
26 *	710 2127	Jaw housing
27	717 2109	Jaw adaptor
28	717 2125	Piston
29	717 2281	Valve tube
31	770 2310	Connection plug
35	719 8817	Cylinder screw (together)
36	728 2303	Valve screw
37	770 2388	Eye bolt with assembly mandrel
39	717 2117	Nut
40	717 2338	Grooved pin
42	770 2426	Snap ring
43	717 2176	Snap ring
46	770 2469	Supporting washer
47	770 2477	Compression spring
48 *	717 2168	Return spring

Spare part no.	Article no.	Designation
49	717 2303	Valve spring
50	717 2346	Compression spring
51 *	717 9693	Compression spring
54	770 2558	O-ring
55	770 2531	O-ring
56	770 2566	O-ring
58	719 0964	O-ring
59	770 2590	O-ring
60	770 2020	Rod seal
61	728 2281	O-ring
63	770 2639	O-ring
64 *	717 2133	K seal
65 *	717 2141	K seal
66 *	717 2192	K seal
69	770 2698	Wiper
70	770 2701	Sealing ring
71 *	717 2273	Valve spud
72	770 2728	USIT ring
74	770 2744	Union with O-ring no. 63
75 *	770 2752	Adaptor
76 *	770 2760	Spent mandrel container
76 a	770 2780	Impact washer
77 *	714 2277	Suspension bracket
78	770 2787	Drain hose (1.5 m long)
79	727 8861	Stud bolt
80	770 2809	Air piston complete with no. 55 and 60
85	770 2868	End cap complete
90	770 2906	Screw-in nozzle, complete
95	770 2957	Hydraulic seal kit with part no. 54, 56, 58, 64, 65, 66
100	770 2973	Pneumatic seal kit for air piston no. 80 with part no. 54, 55, 60
125 *	770 2256	Jaw pusher with reducing tube for blind rivets up to 4 mm Ø and Al and Cu

* Wearing parts * Special accessories

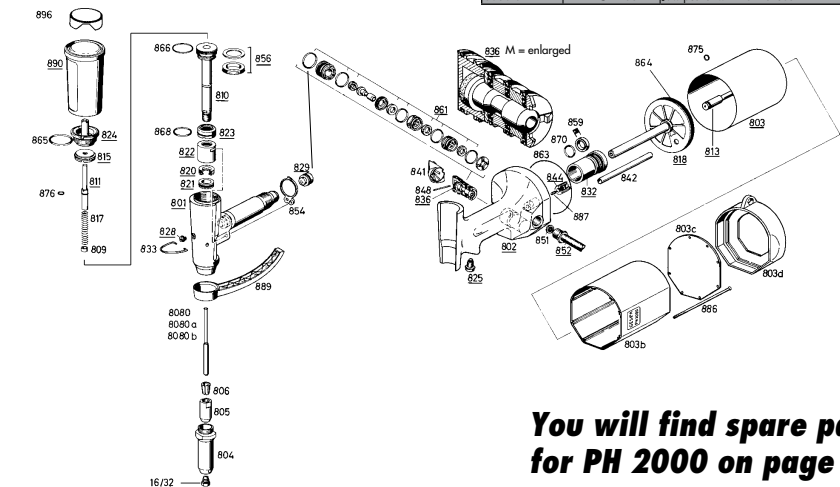


PH 2000 / PH 2000-BT (only for BULB-TITE®)

Spare part no.	Article no.	Designation
801	715 8017	Tool head complete with 829
802	715 8025	Grip complete with 836, 841, 844, 848
803	715 8033	Cylinder complete with 875
803 b	715 9005	Casing
803 c	715 9013	Bottom
803 d *	715 9021	Rubber base
804	710 2216	Head
805 *	713 2123	Jaw housing
806 *	710 2151	Jaws (3-part) per set
8080	715 1454	Jaw pusher with nozzle tube for blind rivets up to 4 mm Ø
8080 a	715 1241	Jaw pusher with nozzle tube for blind rivets from 4.8 mm Ø
8080 b	715 1268	Jaw pusher with nozzle tube for blind rivets from 6.4 mm Ø
809 *	715 8092	Spacer ring
810	715 8106	Lock activator complete with 856, 866
811 *	715 8114	Pressure pipe complete with 876
813	715 8130	Compensating piston complete
815	715 8157	Resetting piston complete with 875
16/24	717 1234	Nosepiece
16/27	717 1277	Nosepiece
16/29	717 1293	Nosepiece
16/32	717 1323	Nosepiece
16/36	717 1366	Nosepiece
16/40	717 1390	Nosepiece
16/45	717 1455	Nosepiece
817 *	715 8173	Compression spring
818	715 8181	Air piston complete with 864
820 *	715 8203	Annular piston complete
821 *	715 8211	Scraper ring complete
822 *	715 8238	Cylinder sleeve complete
823 *	715 8246	Casing ring complete with 868
824	715 8254	Cover complete with 865
825	715 8262	Release valve, complete
828 *	715 8289	Replenishing screw complete
829	715 8297	Valve body complete
832	715 8327	Sealing ring mount complete with 859, 870

* Wearing parts

You will find detailed nosepiece allocation tables on page 42 - 46.



Spare part no.	Article no.	Designation
833	714 2277	Suspension bracket
836	715 8378	Distributing valve complete with 861
841	715 8416	Silencer
842	715 8424	Channel tube
844	715 8440	Suction valve complete
848	715 8483	Bolt
851	715 8513	Flat sieve
852	715 8521	Hose complete
854 *	715 8548	Flat gasket
856 *	715 8564	Groove ring with supporting ring
859 *	715 8599	Rod seal
861	715 8610	Sealing ring wearing set for Distributing valve (836)
863 *	715 8637	O-ring
864 *	727 8640	O-ring
865 *	715 8653	O-ring
866 *	715 8661	O-ring
868 *	715 8688	O-ring
870 *	715 8718	O-ring
875 *	715 8750	O-ring
876 *	715 8769	O-ring
886	715 8866	Countersunk screw
887	727 8861	Stud bolt
889	715 8890	Hand protection
890	715 8904	Spent mandrel container, complete
894	715 8947	Ball Allen key
176	717 1773	Universal wrench MSU
895	715 8955	Hydraulic oil refill can
896	715 8963	Air deflector
898	715 8971	Jaw assembly complete for small rivet Ø
	715 8998	Changeover set for BULB-TITE®
16/26 BT	717 1471	Nosepiece for 4 mm Ø BULB-TITE® rivets
16/32 BT	717 1498	Nosepiece for 5.2 mm Ø BULB-TITE® rivets
16/42 BT	717 1501	Nosepiece for 6.3 mm Ø BULB-TITE® rivets
16/48 BT	717 1528	Nosepiece for 7.7 mm Ø BULB-TITE® rivets
8080 a	715 1241	Jaw pusher with nozzle tube 4 and 5.2 mm Ø
8080 b	715 1268	Jaw pusher with nozzle tube 6.3 and 7.7 mm Ø
106/8	715 1527	Jaws (3-part) for BULB-TITE® rivets
	715 9714	Changeover set for MEGA GRIP®
16/31 MG	717 9669	Nosepiece
16/41 MG	717 9677	Nosepiece
106/14	716 1026	Jaws (3-part)
8080 b	715 1268	Jaw pusher with nozzle tube

You will find spare part kits for PH 2000 on page 63.