

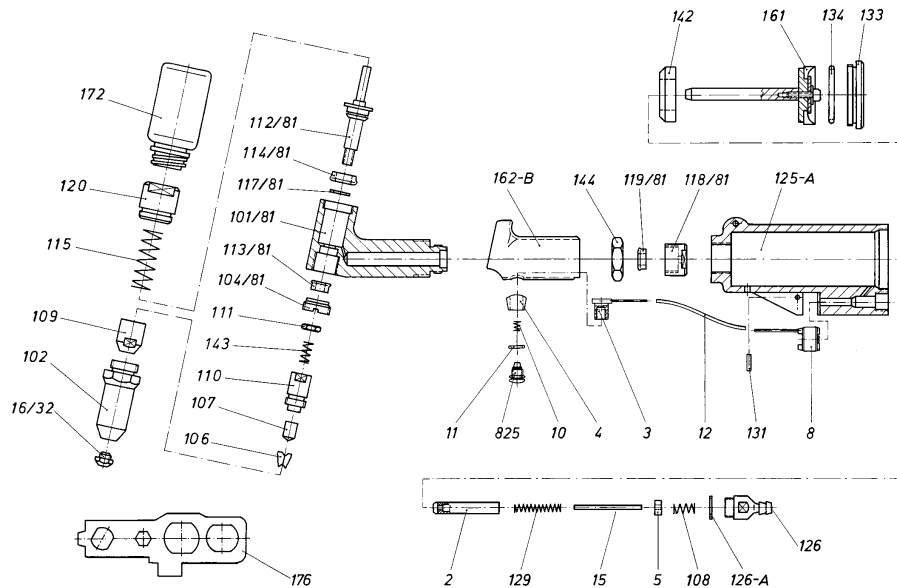
Hydro-pneumatic blind rivet setting tools

PH 2-KA – tool no longer available –

Spare part no.	Article no.	Designation
101/81	717 2028	Tool head
2	717 3016	Valve tube
102	710 2216	Stahlhülse
3	717 3024	Valve support
4	717 3032	Spacer
104/81 •	717 2044	Piston guide with wiper
5	717 3040	Valve spud
106 •	710 2151	Jaws (3-part)
107 •	717 2079	Jaw pusher
8	717 3059	Control cylinder
108 •	717 2087	Compression spring
109 •	710 2127	Jaw housing
10	717 3067	Compression spring
110	717 2109	Jaw adapter
11	717 3075	O-ring
111	717 2117	Nut
12	717 3083	Plastic tube
112/81	717 2125	Piston
113/81 •	717 2133	K seal
114/81 •	717 2141	K seal
15	717 3091	Tube
115 •	717 2168	Return spring
16/24	717 1234	Nosepiece
16/27	717 1277	Nosepiece
16/29	717 1293	Nosepiece
16/32	717 1323	Nosepiece

Spare part no.	Article no.	Designation
16/36	717 1366	Nosepiece
117/81	717 2176	Snap ring
118/81	717 2184	Sealing ring holder
119/81 •	717 2192	K seal
120	717 2206	Closure screw
125A	717 3105	Tool body
126	717 2265	Hose fitting
126 a	728 2311	Sealing ring
129	717 2303	Valve spring
131	717 2338	Grooved pin
133	717 2354	End cap complete
134 •	717 2362	Round cord packing ring
142	717 2427	Buffer ring
143 •	717 9693	Compression spring
144	717 2449	Locking nut
161	717 2613	Air piston, complete
162-B	717 3121	Grip
165	717 2656	Tool head assembly (101/81, 104/81, 112/81, 113/81, 114/81, 117/81, 118/81, 119/81)
170	728 5701	Reducing tube (PH 2)
172	717 1722	Spent mandrel container
175	717 1757	Hydraulic oil 250 cm ³
176	717 1773	Special wrench MSU
825	715 8262	Release valve, complete

• Wearing parts



Hydro-pneumatic blind rivet setting tools

PH 1-VK and PH 2-VK – tool no longer available –

Spare part no.	Article no.	Designation
1	717 2435	Tool head
2	717 2443	Pull piston
3 a	717 3148	Resetting piston
4	717 2478	Head
5	717 2486	Piston guide with wiper
6 a	717 3156	Closure screw
8 a •	717 3164	Jaw pusher
9	717 2516	Connection ring with hose adapter
10	717 2524	Spent mandrel container
13 •	705 2057	Jaws (2-part)
14 A	705 1182	Nosepiece 10/18
14 B	705 1247	Nosepiece 10/24
14 C	705 1271	Nosepiece 10/27
17 •	717 3229	K seal
18	717 2176	Snap ring
19 •	717 2532	Compression spring
21 •	717 2559	Wiper
22 •	717 2567	Rod seal
23 •	715 8726	O-ring
26	717 2583	Cap closure
29	717 2184	Sealing ring holder
30 •	717 2192	K seal
31	716 2111	Tool body

• Wearing parts

Spare part no.	Article no.	Designation
310	717 2257	Tool body
32	717 2273	Valve spud
33	717 2273	Valve tube
34	717 2303	Valve spring
35	717 2311	Release lever
36	717 2338	Grooved pin
37	717 2346	Compression spring
38	716 2332	End cap
380	717 2354	End cap
39 •	717 2362	Round cord packing ring
40	716 2421	Buffer ring
400	717 2427	Buffer ring
41 •	717 2087	Compression spring
42	717 2449	Locking nut
43	716 2618	Air piston, complete
430	717 2613	Air piston, complete
44	728 2621	Plastic grip
45	728 2192	Connecting nipple
46	728 2222	Plastic tube
47	728 2273	Valve body
49	717 2958	Stud bolt
50	728 2311	Sealing ring
51	715 8750	O-ring

