

# Hydro-pneumatic blind rivet setting tools

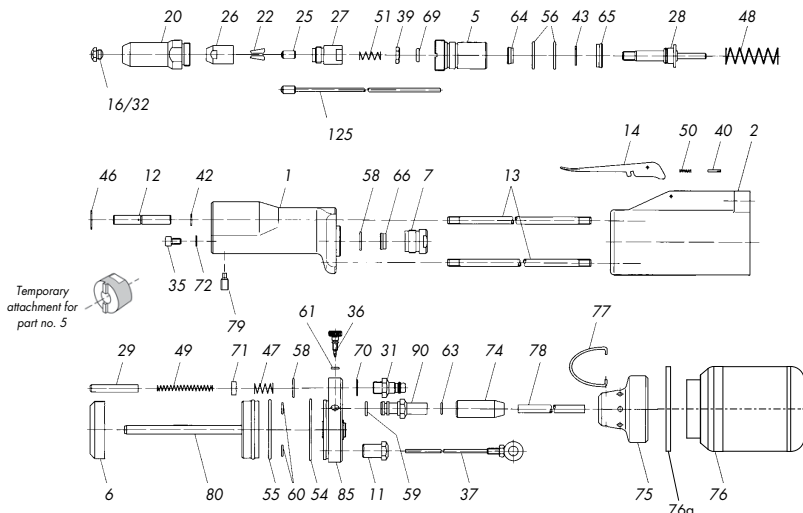
# Hydro-pneumatic blind rivet setting tools

## PH Axial

| Spare part no. | Article no. | Designation                         |
|----------------|-------------|-------------------------------------|
| 1              | 770 2019    | Tool head                           |
| 2              | 770 2027    | Tool body                           |
| 5              | 770 2051    | Piston guide with wiper no. 69      |
|                | 770 1063    | Temporary attachment for part no. 5 |
| 6              | 770 2035    | Damping ring                        |
| 7              | 770 2078    | Sealing ring mount                  |
| 11             | 770 2116    | Connection screw                    |
| 12             | 770 2124    | Guide tube                          |
| 13             | 770 2132    | Draw bar                            |
| 14             | 770 2140    | Release lever                       |
| 16/24          | 717 1234    | Nosepiece                           |
| 16/27          | 717 1277    | Nosepiece                           |
| 16/29          | 717 1293    | Nosepiece                           |
| 16/32          | 717 1323    | Nosepiece                           |
| 16/36          | 717 1366    | Nosepiece                           |
| 20             | 710 2216    | Head                                |
| 22 *           | 710 2151    | Jaws (3-part)                       |
| 25 *           | 717 2079    | Jaw pusher                          |
| 26 *           | 710 2127    | Jaw housing                         |
| 27             | 717 2109    | Jaw adaptor                         |
| 28             | 717 2125    | Piston                              |
| 29             | 717 2281    | Valve tube                          |
| 31             | 770 2310    | Connection plug                     |
| 35             | 719 8817    | Cylinder screw (together)           |
| 36             | 728 2303    | Valve screw                         |
| 37             | 770 2388    | Eye bolt with assembly mandrel      |
| 39             | 717 2117    | Nut                                 |
| 40             | 717 2338    | Grooved pin                         |
| 42             | 770 2426    | Snap ring                           |
| 43             | 717 2176    | Snap ring                           |
| 46             | 770 2469    | Supporting washer                   |
| 47             | 770 2477    | Compression spring                  |
| 48 *           | 717 2168    | Return spring                       |

| Spare part no. | Article no. | Designation   |
|----------------|-------------|---|
| 49             | 717 2303    | Valve spring  |
| 50             | 717 2346    | Compression spring  |
| 51 *           | 717 9693    | Compression spring  |
| 54             | 770 2558    | O-ring  |
| 55             | 770 2531    | O-ring  |
| 56             | 770 2566    | O-ring  |
| 58             | 719 0964    | O-ring  |
| 59             | 770 2590    | O-ring  |
| 60             | 770 2020    | Rod seal  |
| 61             | 728 2281    | O-ring  |
| 63             | 770 2639    | O-ring  |
| 64 *           | 717 2133    | K seal  |
| 65 *           | 717 2141    | K seal  |
| 66 *           | 717 2192    | K seal  |
| 69             | 770 2698    | Wiper   |
| 70             | 770 2701    | Sealing ring  |
| 71 *           | 717 2273    | Valve spud  |
| 72             | 770 2728    | USIT ring   |
| 74             | 770 2744    | Union with O-ring no. 63  |
| 75 *           | 770 2752    | Adaptor   |
| 76 *           | 770 2760    | Spent mandrel container   |
| 76 a           | 770 2780    | Impact washer   |
| 77 *           | 714 2277    | Suspension bracket  |
| 78             | 770 2787    | Drain hose (1.5 m long)   |
| 79             | 727 8861    | Stud bolt   |
| 80             | 770 2809    | Air piston complete with no. 55 and 60                                    |
| 85             | 770 2868    | End cap complete  |
| 90             | 770 2906    | Screw-in nozzle, complete   |
| 95             | 770 2957    | Hydraulic seal kit with part no. 54, 56, 58, 64, 65, 66                   |
| 100            | 770 2973    | Pneumatic seal kit for air piston no. 80 with part no. 54, 55, 60         |
| 125 *          | 770 2256    | Jaw pusher with reducing tube for blind rivets up to 4 mm Ø and Al and Cu |

\* Wearing parts \* Special accessories

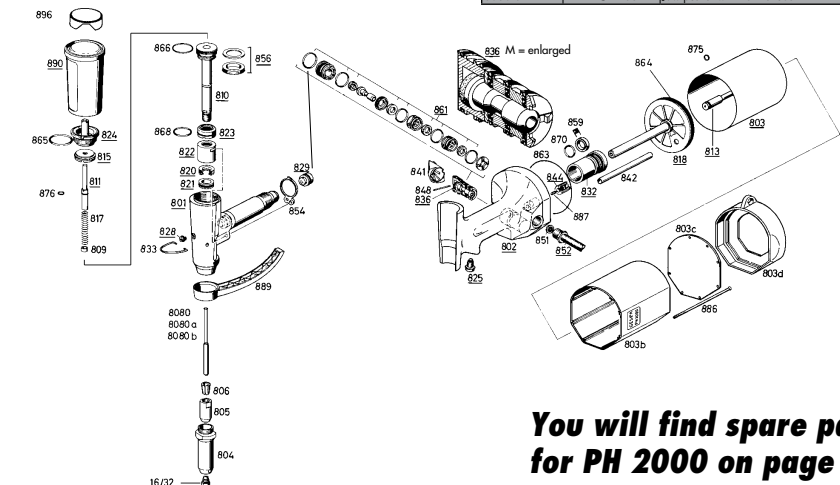


## PH 2000 / PH 2000-BT (only for BULB-TITE®)

| Spare part no. | Article no. | Designation  |
|----------------|-------------|--|
| 801            | 715 8017    | Tool head complete with 829                                |
| 802            | 715 8025    | Grip complete with 836, 841, 844, 848                      |
| 803            | 715 8033    | Cylinder complete with 875                                 |
| 803 b          | 715 9005    | Casing   |
| 803 c          | 715 9013    | Bottom   |
| 803 d *        | 715 9021    | Rubber base  |
| 804            | 710 2216    | Head   |
| 805 *          | 713 2123    | Jaw housing  |
| 806 *          | 710 2151    | Jaws (3-part) per set                                      |
| 8080           | 715 1454    | Jaw pusher with nozzle tube for blind rivets up to 4 mm Ø  |
| 8080 a         | 715 1241    | Jaw pusher with nozzle tube for blind rivets from 4.8 mm Ø |
| 8080 b         | 715 1268    | Jaw pusher with nozzle tube for blind rivets from 6.4 mm Ø |
| 809 *          | 715 8092    | Spacer ring  |
| 810            | 715 8106    | Lock activator complete with 856, 866                      |
| 811 *          | 715 8114    | Pressure pipe complete with 876                            |
| 813            | 715 8130    | Compensating piston complete                               |
| 815            | 715 8157    | Resetting piston complete with 875                         |
| 16/24          | 717 1234    | Nosepiece  |
| 16/27          | 717 1277    | Nosepiece  |
| 16/29          | 717 1293    | Nosepiece  |
| 16/32          | 717 1323    | Nosepiece  |
| 16/36          | 717 1366    | Nosepiece  |
| 16/40          | 717 1390    | Nosepiece  |
| 16/45          | 717 1455    | Nosepiece  |
| 817 *          | 715 8173    | Compression spring   |
| 818            | 715 8181    | Air piston complete with 864                               |
| 820 *          | 715 8203    | Annular piston complete                                    |
| 821 *          | 715 8211    | Scraper ring complete                                      |
| 822 *          | 715 8238    | Cylinder sleeve complete                                   |
| 823 *          | 715 8246    | Casing ring complete with 868                              |
| 824            | 715 8254    | Cover complete with 865                                    |
| 825            | 715 8262    | Release valve, complete                                    |
| 828 *          | 715 8289    | Replenishing screw complete                                |
| 829            | 715 8297    | Valve body complete  |
| 832            | 715 8327    | Sealing ring mount complete with 859, 870                  |

\* Wearing parts

You will find detailed nosepiece allocation tables on page 42 - 46.



| Spare part no. | Article no. | Designation   |
|----------------|-------------|---|
| 833            | 714 2277    | Suspension bracket                                    |
| 836            | 715 8378    | Distributing valve complete with 861                  |
| 841            | 715 8416    | Silencer  |
| 842            | 715 8424    | Channel tube  |
| 844            | 715 8440    | Suction valve complete                                |
| 848            | 715 8483    | Bolt  |
| 851            | 715 8513    | Flat sieve  |
| 852            | 715 8521    | Hose complete   |
| 854 *          | 715 8548    | Flat gasket   |
| 856 *          | 715 8564    | Groove ring with supporting ring                      |
| 859 *          | 715 8599    | Rod seal  |
| 861            | 715 8610    | Sealing ring wearing set for Distributing valve (836) |
| 863 *          | 715 8637    | O-ring  |
| 864 *          | 727 8640    | O-ring  |
| 865 *          | 715 8653    | O-ring  |
| 866 *          | 715 8661    | O-ring  |
| 868 *          | 715 8688    | O-ring  |
| 870 *          | 715 8718    | O-ring  |
| 875 *          | 715 8750    | O-ring  |
| 876 *          | 715 8769    | O-ring  |
| 886            | 715 8866    | Countersunk screw                                     |
| 887            | 727 8861    | Stud bolt   |
| 889            | 715 8890    | Hand protection                                       |
| 890            | 715 8904    | Spent mandrel container, complete                     |
| 894            | 715 8947    | Ball Allen key  |
| 176            | 717 1773    | Universal wrench MSU                                  |
| 895            | 715 8955    | Hydraulic oil refill can                              |
| 896            | 715 8963    | Air deflector   |
| 898            | 715 8971    | Jaw assembly complete for small rivet Ø               |
|                | 715 8998    | Changeover set for BULB-TITE®                         |
| 16/26 BT       | 717 1471    | Nosepiece for 4 mm Ø BULB-TITE® rivets                |
| 16/32 BT       | 717 1498    | Nosepiece for 5.2 mm Ø BULB-TITE® rivets              |
| 16/42 BT       | 717 1501    | Nosepiece for 6.3 mm Ø BULB-TITE® rivets              |
| 16/48 BT       | 717 1528    | Nosepiece for 7.7 mm Ø BULB-TITE® rivets              |
| 8080 a         | 715 1241    | Jaw pusher with nozzle tube 4 and 5.2 mm Ø            |
| 8080 b         | 715 1268    | Jaw pusher with nozzle tube 6.3 and 7.7 mm Ø          |
| 106/8          | 715 1527    | Jaws (3-part) for BULB-TITE® rivets                   |
|                | 715 9714    | Changeover set for MEGA GRIP®                         |
| 16/31 MG       | 717 9669    | Nosepiece   |
| 16/41 MG       | 717 9677    | Nosepiece   |
| 106/14         | 716 1026    | Jaws (3-part)   |
| 8080 b         | 715 1268    | Jaw pusher with nozzle tube                           |

**You will find spare part kits for PH 2000 on page 63.**