

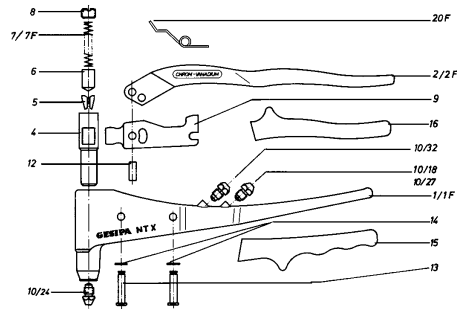
Blind rivet hand tools

NTX and NTX-F (with self opening spring)

Spare part no.	Article no.	Designation
1	705 2014	Tool housing with sleeve grip no. 15
1 F	705 4017	Tool housing with sleeve grip no. 15
2	705 2022	Tool shanks with sleeve grip no. 16
2 F	705 4025	Tool shanks with sleeve grip no. 16
4	705 2049	Jaw housing
5 •	705 2057	Jaws (2-part)
5a	716 1069	Hard jaws (2-part) for CAP® blind rivets
6 •	705 2065	Jaw pusher
7 •	705 2073	Compression spring
7 F •	705 4076	Compression spring
8	705 2081	Closure screw
9	705 2103	Lever
10/18	705 1182	Nosepiece
10/24	705 1247	Nosepiece
10/27	705 1271	Nosepiece
10/32	705 1328	Nosepiece
12	705 2111	Bolt
13	705 2138	Bolt
14	705 2146	Snap ring
15	705 2154	Sleeve grip for tool housing no. 1
16	705 2162	Sleeve grip for tool shank no. 2
17	705 2170	Maintenance wrench SW 10
20 F •	705 4203	Self opening spring
21 F	705 4211	Strap

• Wearing parts

You will find detailed nosepiece allocation tables on page 42 - 46.

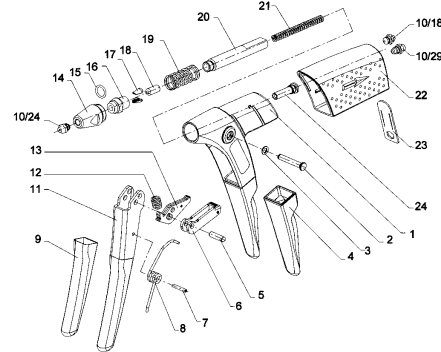


Flipper®

Spare part no.	Article no.	Designation
1	701 2012	Housing with slide block, lever and grip
2	701 2055	Pivot bolt
3	701 2063	Snap ring
4	701 2020	Sleeve grip for housing no. 1
5	701 2187	Bolt
6	701 2160	Drive pawl
7	701 2217	Spring dowel sleeve
8	701 2195	Self opening spring
9	701 2152	Sleeve grip for operating lever no. 11
10/18	705 1182	Nosepiece
10/24	705 1247	Nosepiece
10/29	705 1298	Nosepiece
11	701 2144	Operating lever with sleeve grip
12	701 2209	Retaining spring
13	701 2179	Storage finger (3-part) per set
14	701 2039	Head
15	701 2241	O-ring for jaw housing no. 16
16	701 2098	Jaw housing with O-ring
17	705 2057	Jaws (2-part) per set
18	701 2101	Jaw pusher
19	701 2136	Return spring
20	701 2071	Lock actuator
21	701 2128	Compression spring
22	701 2225	Spent mandrel container with maintenance wrench
23	701 2233	Maintenance wrench SW 10
24	701 2047	Closure screw

• Wearing parts

You will find detailed nosepiece allocation tables on page 42 - 46.



Changeover set for plastic blind rivets

Spare part no.	Article no.	Designation
10/30 K	705 3304	Nosepiece
10/35 K	705 3355	Nosepiece
10/40 K	705 3401	Nosepiece
17 K	705 3053	Jaws (2-part) per set
18 K	701 2985	Jaw pusher
24 K	701 2993	Closure screw
	701 3000	Changeover set complete

Blind rivet hand tools

HN 2 / HN 2-BT (only for BULB-TITE®)

Spare part no.	Article no.	Designation
1	713 2018	Housing with, lever and grip
3	713 2034	Operating lever with pinion and grip
4	713 2042	Grip
6	713 2069	Transmission segment
8	713 2085	Gear rack
9	713 2093	Bolt
10	713 2107	Safety bolt
11	712 2128	Jaw pusher
12 •	713 2123	Jaw housing
13 •	713 2131	Compression spring
15 •	710 2151	Jaws (3-part) per set
16/29	717 1293	Nosepiece
16/32	717 1323	Nosepiece
16/36	717 1366	Nosepiece
16/40	717 1390	Nosepiece
16/45	717 1455	Nosepiece
19	713 2190	End block with guide tube
20	713 2204	Spent mandrel container
23	710 2216	Head
25	713 2255	Cylinder pin
176	717 1773	Universal wrench MSU
30	713 2263	Changeover set for BULB-TITE®
16/26 BT	717 1471	Nosepiece for 4 mm Ø BULB-TITE® rivets
16/32 BT	717 1498	Nosepiece for 5,2 mm Ø BULB-TITE® rivets
16/42 BT	717 1501	Nosepiece for 6,3 mm Ø BULB-TITE® rivets
16/31 MG	717 9669	Nosepiece for 4,8 mm Ø MEGA GRIP® rivets
16/41 MG	717 9677	Nosepiece for 6,4 mm Ø MEGA GRIP® rivets
106/14	715 1527	Jaws for BT and MG rivets

• Wearing parts

You will find detailed nosepiece allocation tables on page 42 - 46.

