

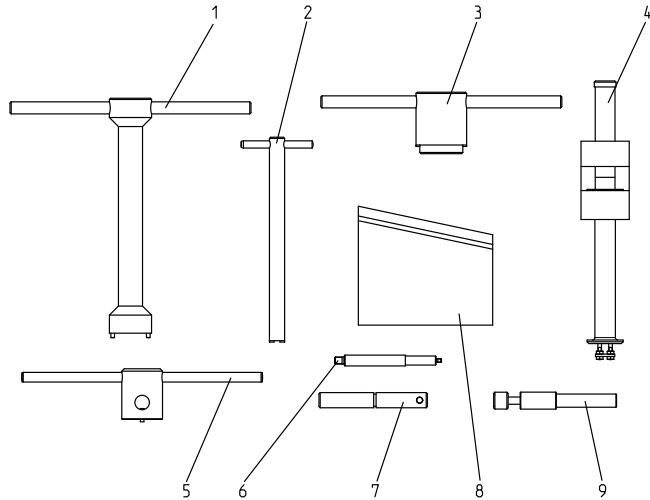
Hydro-pneumatic blind rivet nut setting tools

Repair tools for FireFox® 1 - 2

Repair tool kit for FireFox®
Art. no. 772 1183

Spare part no.	Article no.	Designation
1	756 2005*	Allen key
2	772 1185	Allen key for end cap
3	772 1182	Turning tool for threaded ring
4	756 2006*	Slot wrench
5	772 1114	Clamp element for FireFox tool head
6	772 1179	Extraction tool
7	772 1190	Insertion tool for bit
8	772 1184	Insertion tool for seal
9	756 2008*	Assembly device

*These tools are also suitable for TAURUS® 1 - 4



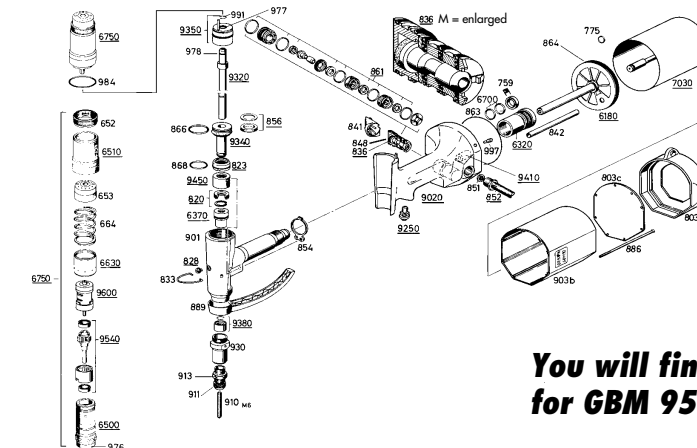
Hydro-pneumatic blind rivet nut setting tools

GBM 95

Spare part no.	Article no.	Designation
6180	727 6184	Air piston, complete
6320	727 6338	Sealing ring mount complete with 759, 6700
6370	727 6370	Sealing ring mount complete
6500	727 6508	Motor frame, complete
6510	727 6494	Valve housing, complete
652	727 6524	Knurled nut
653	727 6532	Cover
6630	727 6621	Valve slide complete
664	727 6648	Compression spring
6700	727 6702	O-ring with supporting ring 727 6999
6750	727 6753	Drill unit complete with 6500, 6510, 652, 653, 9540, 9600, 6630, 664
7030	727 7032	Cylinder complete with 775
759	727 7598	Rod seal
775	727 7768	O-ring (6 x 2)
803 c	715 9013	Bottom
803 d	715 9021	Rubber base
820	715 8203	Annular piston complete
823	715 8246	Casing ring complete with 868
828	715 8289	Replenishing screw complete
833	714 2277	Suspension bracket
836	715 8378	Distributing valve complete with 861
841	715 8416	Silencer
842	715 8424	Channel tube
848	715 8483	Bolt
851	715 8513	Flat sieve
852	715 8521	Hose complete
854	715 8548	Flat gasket
856	715 8564	Groove ring with supporting ring
861	715 8610	Sealing ring wearing set for distributing valve (836)
863	715 8637	O-ring
864	727 8640	O-ring
866	715 8661	O-ring
868	715 8688	O-ring
886	715 8866	Senkschraube
889	715 8890	Hand protection
894	715 8947	Ball Allen key
895	715 8955	Hydraulic oil refill can
901	727 9019	Tool head
9020	727 9027	Grip complete with 836, 848, 902 b

* Wearing parts

Spare part no.	Artikel-Nr.	Designation
903 b	727 9035	Casing
910	727 9108	Threaded mandrel M 3
910	727 9116	Threaded mandrel M 4
910	727 9124	Threaded mandrel M 5
910	727 9132	Threaded mandrel M 6
910	727 9140	Threaded mandrel M 8
910	727 9159	Threaded mandrel M 10
911	727 9167	Nosepiece M 3
911	727 9175	Nosepiece M 4 and 8-32"
911	727 9183	Nosepiece M 5 and 10-32"
911	727 9191	Nosepiece M 6
911	727 9205	Nosepiece M 8 and 5/16-18"
911	727 9213	Nosepiece M 10 and 3/8-16"
913	727 8136	Locking nut
9250	727 9221	Release valve, complete
930	727 9302	Sleeve
9320	727 9329	Draw bar, complete
9340	727 9345	Pull piston complete with 856, 866
9350	727 9353	Resetting piston, complete
9380	727 9388	Thrust bearing, complete
9410	727 8411	Valve piston, complete
9450	727 9450	Cylinder sleeve complete
9540	727 9558	Planetary gearing, complete
9600	727 9604	Air motor, complete
976	727 9760	Sealing ring kit
977	727 9779	Sealing ring kit
978	727 9787	O-ring
984	727 9841	O-ring
997	727 9973	Adjusting screw
915	727 1158	Open-ended wrench
916	727 1166	Allen key
917	727 1174	Hooked wrench Ø 42
918	727 1182	Assembly rod
991	727 9914	Snap ring
176	717 1773	Universal wrench MSU
A 910	727 2065	Threaded mandrel 8-32"
A 910	727 2022	Threaded mandrel 10-32"
A 910	727 2030	Threaded mandrel 1/4-20"
A 910	727 2073	Threaded mandrel 5/16-18"
A 910	727 2049	Threaded mandrel 3/8-16"
A 911	727 2057	Nosepiece 1/4-20"



You will find spare part kits for GBM 95 on page 64.