

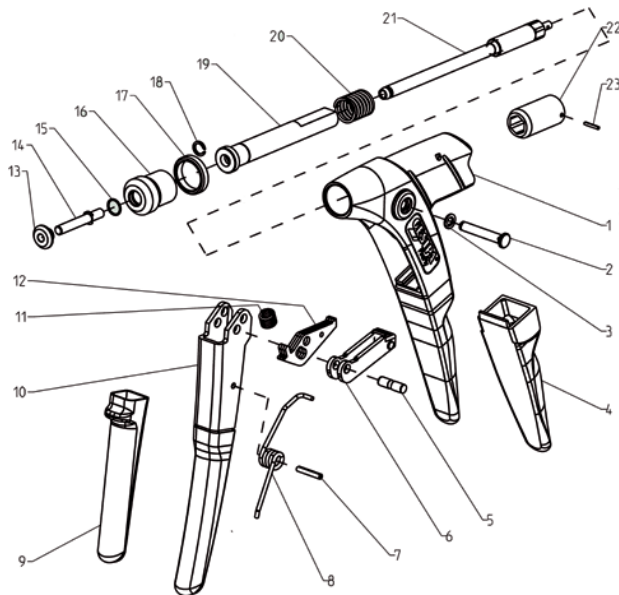
# Blind rivet hand nut setting tools

# Battery powered blind rivet nut setting tool

## FireFly

Spare part no.	Article no.	Designation
1	702 1018	Housing complete with sleeve grip
2	701 2055	Pivot bolt
3	701 2063	Snap ring
4	701 2020	Sleeve grip for housing no. 1
5	701 2187	Bolt
6	701 2160	Drive pawl
7	701 2217	Spring dowel sleeve
8	701 2195	Self opening spring
9	701 2152	Sleeve grip for operating lever no. 10
10	702 1019	Operating lever with sleeve grip
11	701 2209	Retaining spring
12	701 2179	Storage finger (3-part) per set
13 / M3	702 1008	Nosepiece - bit
13 / M4	702 1007	Nosepiece - bit
13 / M5	702 1006	Nosepiece - bit
13 / M6	702 1010	Nosepiece - bit
13 / 6-32 UNC	702 2006	Nosepiece - bit
13 / 8-32 UNC	702 2007	Nosepiece - bit
13 / 10-24 UNC	702 2008	Nosepiece - bit

Spare part no.	Article no.	Designation
14 / 1/4"-20 UNC	702 2009	Nosepiece - bit
14 / M3	702 1015	Threaded mandrel
14 / M4	702 1014	Threaded mandrel
14 / M5	702 1013	Threaded mandrel
14 / M6	702 1026	Threaded mandrel
14 / 6-32 UNC	702 2001	Threaded mandrel
14 / 8-32 UNC	702 2002	Threaded mandrel
14 / 10-24 UNC	702 2003	Threaded mandrel
14 / 10-32 UNF	702 2004	Threaded mandrel
14 / 1/4"-20 UNC	702 2005	Threaded mandrel
15	756 1997	O-ring
16	702 1012	Nosepiece
17	702 1005	Knurled nut
18	702 1021	Snap ring
19	702 1024	Lock activator, complete
20	701 2136	Return spring
21	702 1023	Adjusting unit
22	702 1011	Knurled handle
23	702 1020	Spring dowel sleeve

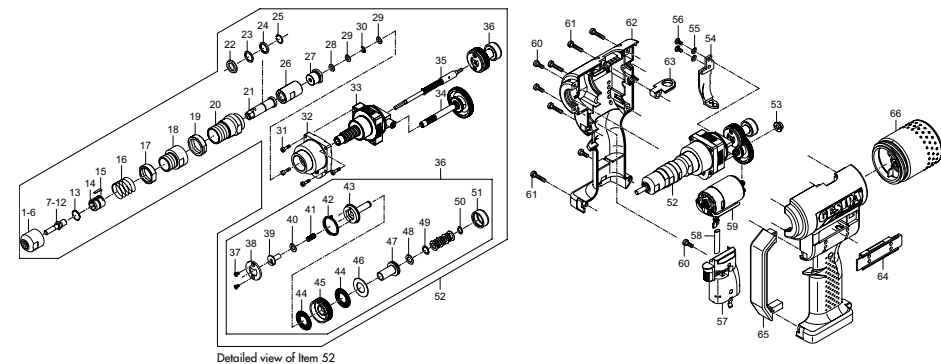


## FireBird®

Spare part no.	Article no.	Designation
1	726 2086	Nosepiece M 3
2	726 2094	Nosepiece M 4
	726 2620	Nosepiece 8 - 32 UNC
3	726 2108	Nosepiece M 5
	726 2639	Nosepiece 10 - 32 UNF
4	726 2116	Nosepiece M 6
	726 2647	Nosepiece 1/4" - 16 UNC
5	726 2124	Nosepiece M 8 and 5/16" - 18UNC
	726 2132	Nosepiece M 10
	726 2655	Mundstück 3/8" - 16 UNC
7 •	726 2019	Threaded mandrel M 3
8 •	726 2027	Threaded mandrel M 4
	726 2574	Threaded mandrel 8 - 32 UNC
9 •	726 2035	Threaded mandrel M 5
	726 2582	Threaded mandrel 10 - 32 UNC
10 •	726 2043	Threaded mandrel M 6
	726 2590	Threaded mandrel 1/4" - 20 UNC
11 •	726 2051	Threaded mandrel M 8
	726 2604	Threaded mandrel 5/16" - 18 UNC
	726 2078	Threaded mandrel M 10
	726 2612	Threaded mandrel 3/8" - 16 UNC
85	726 3093	Wire ring
14	726 2159	Slider
15	726 2167	Clamp
16	726 3077	Compression spring
17	726 2175	Locking nut 2
18	726 3085	Adjusting sleeve
19	726 2191	Locking nut 1
20	726 2205	Head
21	726 2213	Driver, complete
22	726 3069	Bevel washer
23	726 3050	Washer
24	726 3042	Lock washer
25	727 9914	Snap ring
26	726 2256	Lock activator
27	726 2264	Spacer
28	726 2299	Washer
29	726 2272	Shim ring, together
30	726 2280	Retaining washer, complete
31	725 1982	Cylinder screw, complete

Spare part no.	Article no.	Designation
32	725 9185	Bearing, complete
33	726 2302	Ballscrew drive, complete
34	726 2493	Pinion shaft, complete
35	726 2310	Rotating rod, complete
36	726 2973	Coupling complete (Item 37-51)
37	726 2329	Countersunk screw
38	726 2337	Plate
39	726 2345	Rotary tappet
40	726 2353	Washer
41	726 2361	Compression spring
42	726 2388	Wrap spring
43	726 2396	Shaft
44	726 2418	Axial needle bearing
45	726 2426	Coupling
46	726 2434	Axial disc
47	726 2442	Bushing
48	726 2450	Shim ring, together
49	726 2469	Spring washer
50	726 2477	Snap ring
51	726 2485	Cap
52	726 2515	Coupling complete (Item 13-36)
53	725 1893	Sintered-metal bushing
54	725 9266	Magnetic holder, complete
55	725 2008	Spring washer
56	725 1990	Magnetic holder screw
57	726 2523	E-control
58	725 5066	Hose, silicone
59 •	725 9223	Motor, complete
60	725 2032	Housing screw, short
61	725 2024	Housing screw, long
62	726 2507	Housing, complete red
63	725 5058	Hanger
64	726 2558	Cover
65	725 1540	Protection bracket
66	726 2140	Accessories magazine
	726 2566	Hexagon screwdriver
		Threaded mandrel SL
		Nosepieces SL
	726 3317	Double-ended open-jawed wrench SW 24/27

• Wearing parts



Detailed view of Item 52