

GESIPA® lockbolt setting tools

PowerBird® SRB 6,4

Working range

6.4 lockbolts MagnaGrip®* and C6L®*

Technical data

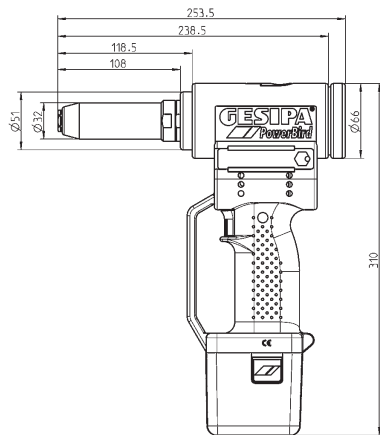
Weight (with battery): 2,4 kg
 Drive: 14,4 V
 Traction Power: 18 000 N
 Stroke: 20 mm

Accessoires

Nosepiece in working position
 Li-Ion power battery 2,6 Ah/14,4 V with charger
 Operating instructions with spare parts list plastic carrying case



PowerBird® for lockbolts 6.4 mm C6L®* and MagnaGrip®*



Advantages

- Battery powered lockbolt setting tool
- Accessibility in tight working spaces
- Light and compact design
- Modular structure
- Ergonomic handling

PowerBird® for lockbolts 6.4 mm (1/4") C6L®*
Part no. 724 0045

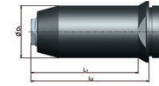
PowerBird® for lockbolts 6.4 mm (1/4") Magna-Grip®*
Part no 724 0046

*Registered trademark of Alcoa Fastening Systems

Head modules for lockbolts

TAURUS 5® compact, TAURUS® 5 und 6

Head module for lockbolt 4.8 mm (3/16") C6L and Magna-Grip® for TAURUS® 5 compact, TAURUS® 5 and TAURUS® 6



Head module	Part no. head module	Part no. tool to use	Ø D ₁	L ₁	L ₂
Head module for lockbolt 6 (3/16") Huck C6L®*	760 1070	760 0003	34 mm	70 mm	77 mm
Head module for lockbolt 6 (3/16") Huck Magna-Grip®*	760 1072	760 0004	34 mm	70 mm	77 mm

Head modules for lockbolt 6,4 mm (1/4") C6L and Magna-Grip®

Head module	Part no. head module	Part no. tool to use	Ø D ₁	L ₁	L ₂
Head module for lockbolt 8 (1/4") Huck C6L®*	760 1071	760 0005	34 mm	70 mm	77 mm
Head module for lockbolt 8 (1/4") Huck Magna-Grip®*	760 1073	760 0006	34 mm	70 mm	77 mm

TAURUS® 3 SRB

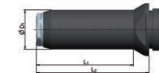
Head module for lockbolt 4.8 mm (3/16") C6L and Magna-Grip® for TAURUS® 3 SRB



Head module	Part no. head module	Part no. tool to use	Ø D ₁	L ₁	L ₂
Head module for lockbolt 6 (3/16") Huck C6L®*	758 1230	758 0038	22,5 mm	61 mm	70 mm
Head module for lockbolt 6 (3/16") Huck Magna-Grip®*	758 1231	758 0037	22,5 mm	61 mm	70 mm

PowerBird® SRB

Head module for lockbolt 4.8 mm (3/16") C6L and Magna-Grip® for PowerBird® SRB



Head module	Part no. head module	Part no. tool to use	Ø D ₁	L ₁	L ₂
Head module for PowerBird® for lockbolt 4.8 mm (3/16") C6L®*	724 2067	724 0047	22,5 mm	56 mm	65 mm
Head module for PowerBird® for lockbolt 4.8 mm (3/16") Magna-Grip®*	724 2068	724 0048	22,5 mm	56 mm	65 mm

Head module for lockbolt 6.4 mm (1/4") C6L and Magna-Grip® for PowerBird® SRB



Head module	Part no. head module	Part no. tool to use	Ø D ₁	L ₁	L ₂
Head module for PowerBird® for lockbolt 6.4 mm (1/4") C6L®*	724 2065	724 0045	32 mm	91 mm	108 mm
Head module for PowerBird® for lockbolt 6.4 mm (1/4") Magna-Grip®*	724 2066	724 0046	32 mm	91 mm	108 mm

* partly registered trademarks of TITGEMEYER GmbH & Co. KG or Alcoa Fastening Systems