

Angle head 90° compact for PowerBird® and AccuBird®

The angle head 90° compact now available for AccuBird® and PowerBird®

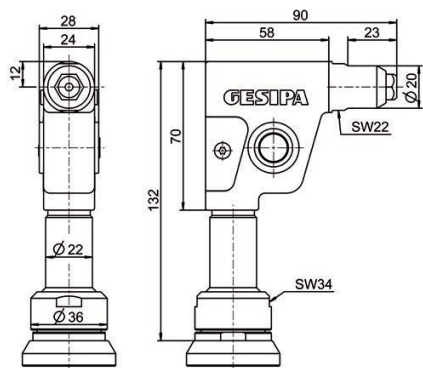
Part no. 725 0101

Description

Using the angle head 90° compact for PowerBird® and AccuBird® allows to set all types of standard blind rivets up to 5 mm in diameter and aluminium up to 6 mm diameter, depending on the tool type. The minimum edge clearance is 12 mm, the head length is 90 mm. The angle head can be freely fixed in any position around the AccuBird® and PowerBird® tensile axis (360° free rotation).

Application

The angle head 90° compact is designed for use in tight spaces. Its sturdy design allows it to apply large setting forces when setting blind rivets even in difficult of access work areas with up to 10 kN.



Technical data

Weight: 0,7 kg
Stroke: 20 mm
Traction power: up to 10 kN

Accessoires

Nosepieces: 16/36

Advantages

- Realisation of small edge clearances (12 mm)
- High setting force in tight installation areas (up to 10 kN)
- Large stroke (up to 20 mm)
- Simple assembly
- Compact and robust design
- Simple jaws maintenance
- Use of standard jaws
- Low vibration, even at high breaking force level



Extension units for PowerBird® and AccuBird®

One-piece and multi-piece extension units

One-piece extension units

For setting rivets in deep positions and with difficult access

for AccuBird®

Part no. 725 1056 (50mm)

Overall length of head 117 mm

Part no. 725 1057 (100mm)

Overall length of head 167 mm

for PowerBird®

Part no. 724 2054 (50mm)

Overall length of head 117 mm

Part no. 724 2055 (100mm)

Overall length of head 167 mm



Multi-piece extension units

For setting rivets in deep positions.

for AccuBird®

Part no. 725 2293 (100mm)

Overall length of head inclusive extension unit: 167 mm

for PowerBird®

Part no. 724 3278 (100mm)

Overall length of head inclusive extension unit: 167 mm

for PowerBird® with spring loaded trigger system

Part no. 724 2194 (50mm)
Part no. 724 3023 (100mm)

Overall length of head inclusive extension unit: 117 mm bzw. 167 mm

