

## Testing the watertightness



GDP 100 watertightness test bench



Carrier plate with 25 rivets belonging to the same batch



Testing the watertightness on the setting head side under 30 mm water column during 60 minutes

# SolarGrip®

## Solar blind rivets now with Z-14.1-537 DIBt-approval for all usual material combinations

### SolarGrip® – The solar fastener

- The only solar blind rivet with Z-14.1-537 (alu/alu, alu/steel) and Z-14.1-4 (steel/steel, steel/wood) DIBt approval
- Matching grip range for many solar applications
- Ideal for working on troughed panel roofs
- Watertight thanks Solar-Seal surface treatment for 4,8mm rivets
- Riveting of sponge rubber or EPDM washers possible without difficulties
- Protection against theft

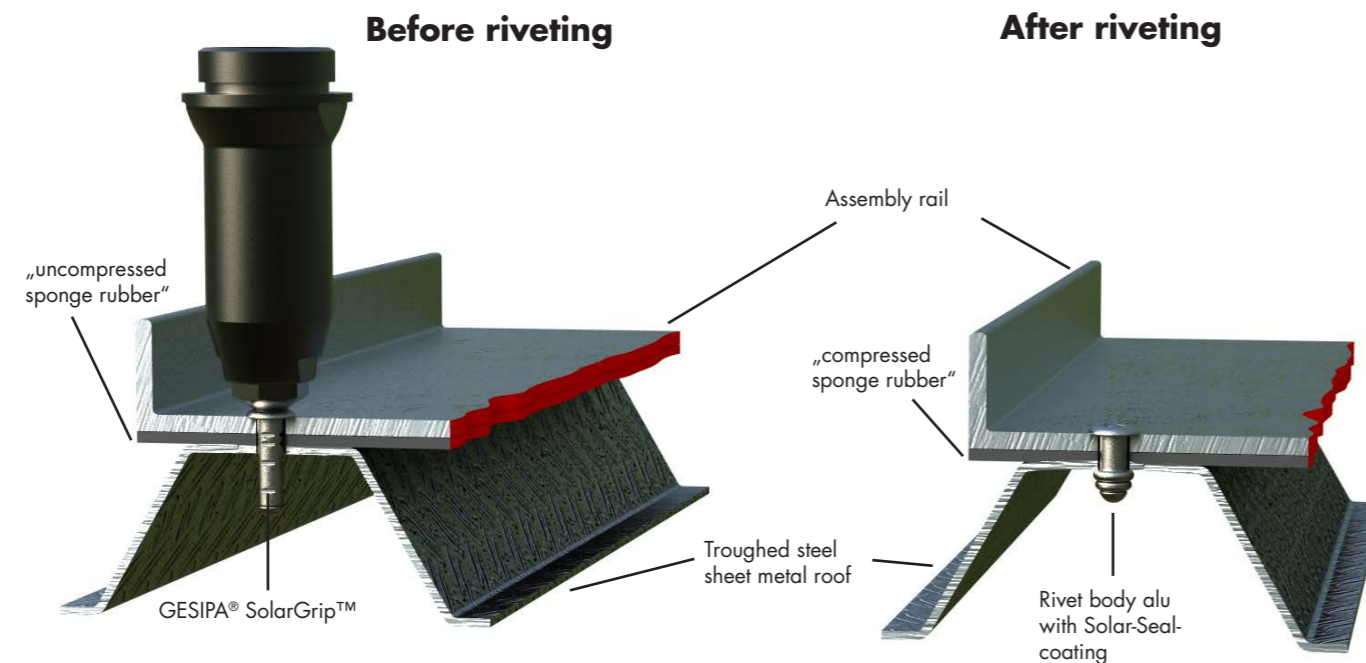


### SolarGrip® – The basic characteristics

- Large grip range coverage with a single blind rivet for different troughed panel thicknesses
- Wide closing head for improved unbuttoning characteristic
- High hole filling capability compensates hole tolerances



### SolarGrip® – The operating mode



# SolarGrip®

## Rivet and tool – For the flexible use in the solar sector

### SolarGrip® – An example of use of our customer Contecta

#### Our customer Contecta, a developer and manufacturer of solar installation systems from Kirchberg, about SolarGrip:

Easy, fast, reliable: With our TÜV-certified installation system DICONAL®, we offer flexible solutions directly from the manufacturer.

For attachment to troughed plate roofs, we were looking for a solution which fulfilled our requirements for watertightness and easy, fast installation. There was one thing it had to be above all: Cost saving!

In GESIPA®, we found a reliable, flexible partner who perfectly meets our many requirements.

Thanks to the open and cooperative partnership with GESIPA®, we have already used hundreds of thousands of blind rivets tailored exactly to our needs, and to the complete satisfaction of our customers.

#### The task:

- One economic fastener for two applications

#### The requirements:

- Reliable joint
- Varying grip ranges
- Limited accessibility
- Watertightness under 30 mm water column

#### The result:

- A blind rivet with a wide grip range and large hole diameter tolerance
- SolarSeal coating
- Setting tool: PowerBird®-Solar



### SolarGrip® – Dimensions at a glance

Description	Material	Grip range in mm	Tensile strength* in N	Shear strength* in N	Minimum unbuttoning traction force in 0,5 mm Steel sheet	P/N	Quantity per box
4,8 x 12,0 F K 11,4 Hole - Ø: 5,1 - 5,2 mm	Rivet body: Alu AlMg 2,5 Mandrel: A2 stainless steel – Nr. 1.4541	3 - 5	2300	1500	450	672 1013	500
4,8 x 15,0 F K 11,4 Hole - Ø: 5,1 - 5,2 mm	Rivet body: Alu AlMg 2,5 Mandrel: A2 stainless steel – Nr. 1.4541	5 - 8	2300	1500	410	672 1024	500
6,4 x 14,0 F K 11,4 Hole - Ø: 6,5 - 6,9 mm	Rivet body: Alu AlMg 2,5 Mandrel: Steel zinc plated	3 - 8	4000	2800	710	670 1011	250

GESIPA®-SolarGrip® is perfectly suited for usual troughed panel sheet metal in thicknesses 0,5; 0,63; 0,75; 0,88 und 1,0 mm as well as aluminium troughed panels with 0,7; 0,8 and 1,0 mm thicknesses.

\* Test acc. DIN EN ISO 14589

# PowerBird®-Solar

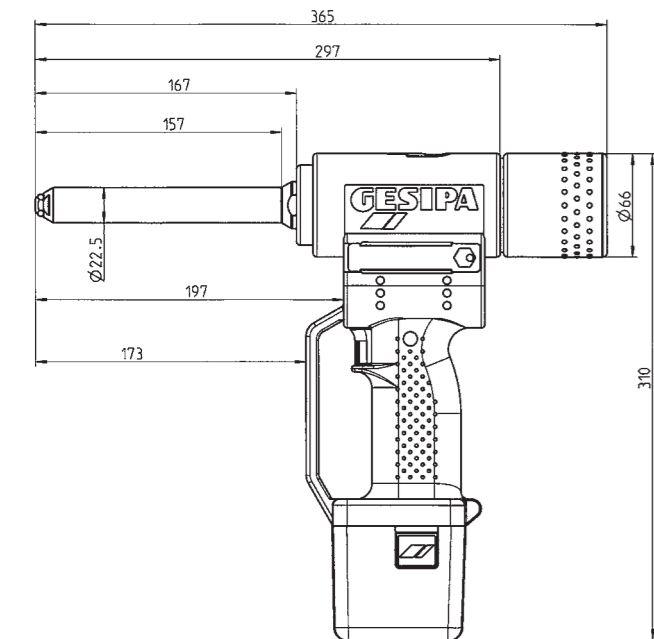
**Special version for Solar applications – Ideal for recessed, poorly accessible rivet locations, for easy access to rivet locations**

## PowerBird®-Solar – In practise

- Fatiguefree working through well balanced weight repartition and ergonomic grip
- Gravity controlled evacuation of broken mandrels: forward through the nosepiece or backwards into the mandrel container
- The immediate and automatic reset after each riveting process saves energy and speeds up the operation
- Compact, shockproof tool housing
- User oriented scope of delivery: metal carrying case with one battery charger, two power batteries and four nosepieces

## PowerBird®-Solar – With new Li-Ion energy

- 2,6 Ah battery, alternatively 1,3 Ah on request
- No Memory-effect
- High Energy yield through high voltage and low weight for easy and fast operation
- Extremely low self discharge



PowerBird®-Solar including two Li-Ion power batteries 2,6 Ah/14,4 V, quick charger, extension unit 100 mm and special nosepieces for BULB-TITE® blind rivets, in metal case

**Part no. 724 0041**

## Working range

SolarGrip blind rivets with Ø 4,8 and 6,4 mm; blind rivets from Ø 4,8 mm steel up to 6,4 mm all materials, except G-Bulb Ø 6,4 mm; BULB-TITE® blind rivets up to Ø 7,7 mm, all materials; MEGA GRIP® blind rivets up to Ø 6,4 mm all materials.

## Technical data

Weight: 2,2 kg with battery  
 Stroke: 20 mm  
 Operating voltage: 14,4 V DC  
 Setting force: 13.000 N  
 Extension unit: 100 mm

## Equipment

100 mm extension unit  
 Two Li-Ion power batteries 2,6 Ah/14,4 V  
 Quick charger  
 Nosepieces 17/32 (in working position), 17/36, 17/40, 17/45, 17/48 BT  
 Operating instructions  
 Metal case

# Fastening the sun: A riveting challenge!

**With DIBt approval No. Z-14.1-537**



# The GESIPA® solar product range at a glance

- Special-Solar blind rivets with DIBt Z-14.1-537 Approval
- Cost efficient installation of solar panels on troughed sheet metal roofs
- Grip range specially adapted to solar installation applications
- Quick, process safe setting
- Batch controlled fasteners
- SolarSeal surface treatment
- Outstanding hole filling capability
- Wide closing head on the backside
- Protection against theft
- Setting tool PowerBird®-Solar
- Flexible and versatile applications
- Timely Li-Ion technology
- Shockproof tool housing
- Ergonomic design

## SolarGrip® and PowerBird®-Solar: The winning team

GESIPA Blindniettechnik GmbH  
 Nordendstraße 13-39  
 64546 Mörfelden-Walldorf  
 Germany

T +49 (0) 6105 962 0  
 F+49 (0) 6105 962 287  
 info@gesipa.com  
 www.gesipa.com

A company of SFS intec



GESIPA Blindniettechnik GmbH  
 Nordendstraße 13-39  
 64546 Mörfelden-Walldorf  
 Germany

T +49 (0) 6105 962 0  
 F+49 (0) 6105 962 287  
 info@gesipa.com  
 www.gesipa.com

A company of SFS intec

