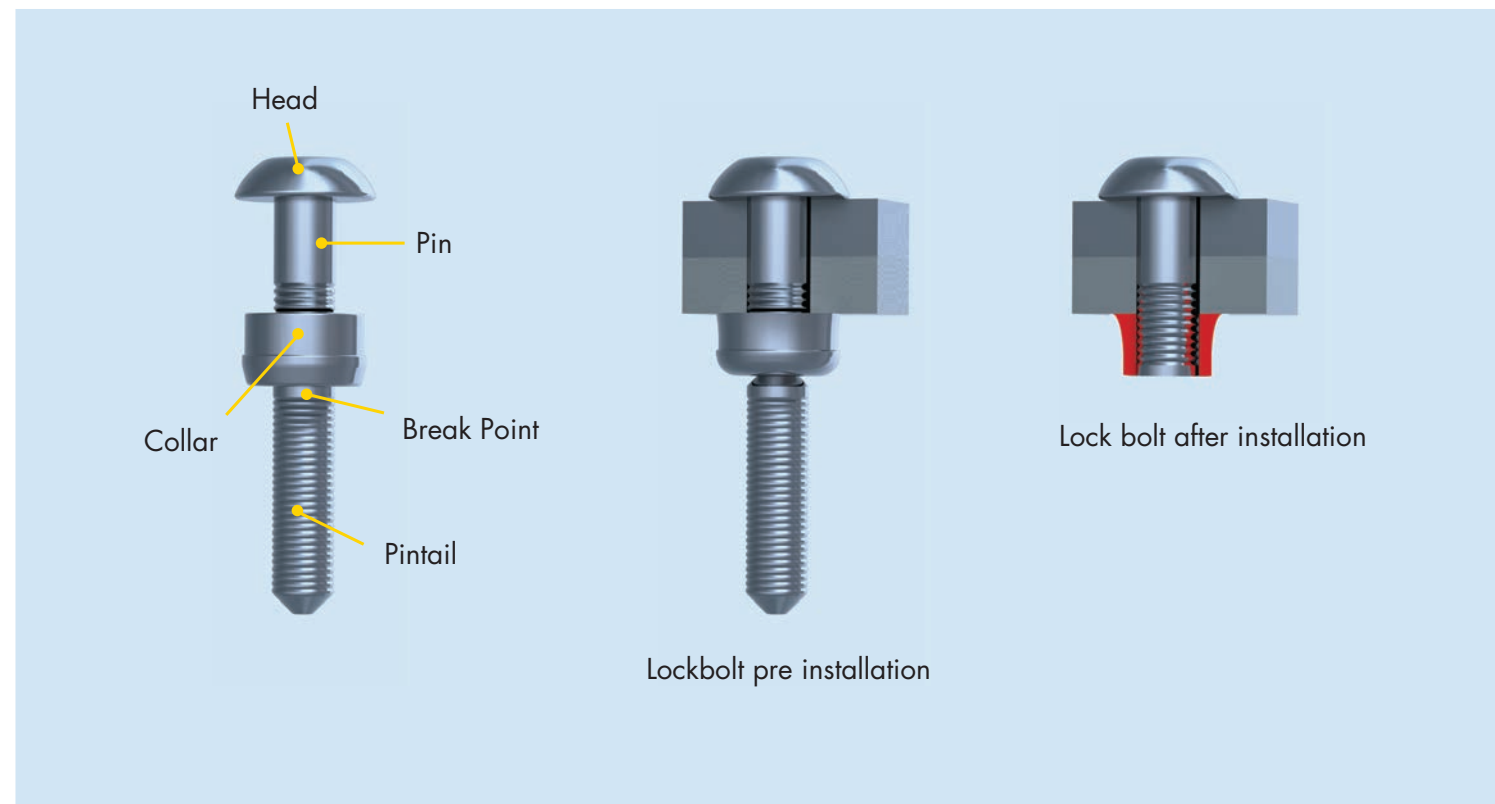


GESIPA® lockbolt setting tools



Fastening material by means of lockbolts

With standard lockbolts, the setting process itself is very similar to the blind riveting process.

1. The pin is positioned on one side and the collar on the other side of the material to be joined.
2. The setting tool grasps the pin while supporting itself against the collar.

3. By pulling the pin the joints are pressed together and the collar is fed into the grooves of the pin.
4. The joining process is finished once the pin breaks off at the predetermined break load. The break load is achieved by the clamping of the joined materials.

TAURUS® 5 compact

The lockbolt setting tool for lockbolts 4.8 mm and 6.4 mm

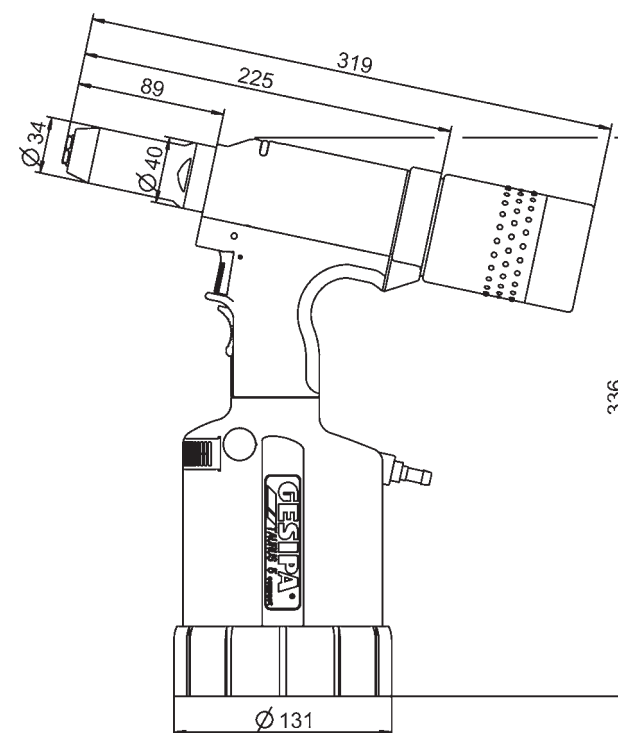
Working range
4.8 and 6.4 lockbolts C6L® and MagnaGrip®

Technical data

Weight:	2,8 kg
Operating air pressure:	5 - 7 bar
Air hose connection Ø:	6 mm
Air consumption:	4,8 NL / stroke
Traction power:	26,000 N at 5 bar
Stroke:	14 mm

Accessories

Maintenance wrench SW12/14, SW14/17
1 hydraulic oil bottle 100 ml
1 oil refill can
Operating instructions with spare parts list



Advantages

- Specially adjusted stroke for setting lockbolts
- Very high tensile strength allows fast setting
- Extremely handy and lightweight due to its compact design
- Economic consumption of compressed air
- Improved jaw life with specially designed pulling head assemblies
- Efficient operation through extraction of spent mandrels
- Large spent mandrel container
- Attractive price performance ratio

TAURUS® 5 compact for lockbolts 4.8mm C6L®
Part no. 760 0003

TAURUS® 5 compact for lockbolts 4.8mm MagnaGrip®
Part no. 760 0004

TAURUS® 5 compact for lockbolts 6.4mm C6L®
Part no. 760 0005

TAURUS® 5 compact for lockbolts 6.4mm MagnaGrip®
Part no. 760 0006

* Some registered trademarks of the companies TITGEMEYER GmbH & Co. KG and Alcoa Fastening Systems

TAURUS® 3 SRB

The lockbolt setting tool especially for lockbolt 4.8 mm

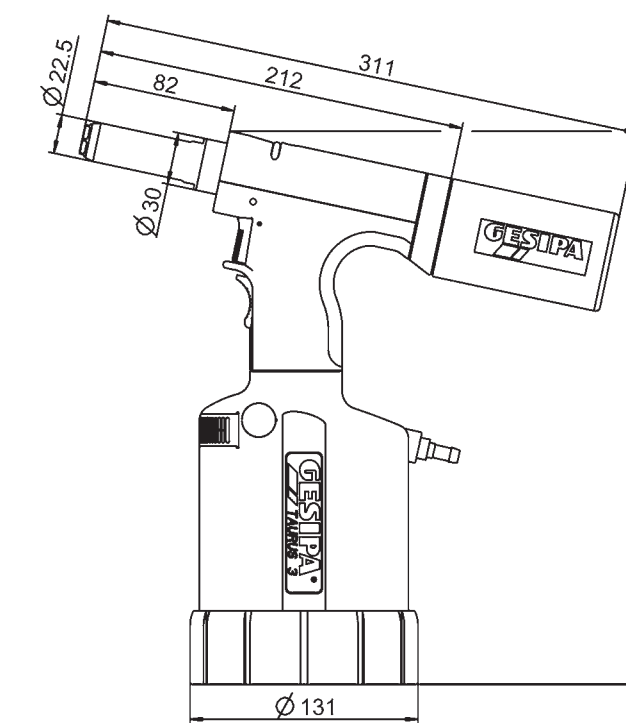
Working range
4.8 lockbolts MagnaGrip® and C6L®

Technical data

Weight:	2.0 kg
Operating air pressure:	5 - 7 bar
Air hose connection Ø:	6 mm
Air consumption:	4.8 NL / stroke
Traction power:	14,000 N at 5 bar
Stroke:	25 mm

Accessories

Maintenance wrench SW12/14, SW14/17
1 hydraulic oil bottle 100 ml
1 oil refill can
Operating instructions with spare parts list



Advantages

- good accessibility by narrow nosepiece and little device head
- adapted tensile strength allows efficient setting
- Economic consumption of compressed air
- Improved jaw life with specially designed pulling head assemblies
- Efficient operation through extraction of spent mandrels
- removeable spent mandrel container
- Attractive price performance ratio

TAURUS® 3 for lockbolts 4.8mm MagnaGrip®
Part no. 758 0037

TAURUS® 3 for lockbolts 4.8mm C6L®
Part no. 758 0038

* Some registered trademarks of the companies TITGEMEYER GmbH & Co. KG and Alcoa Fastening Systems

PowerBird® SRB 4,8

Working range
4.8 lockbolts C6L® and Magna-Grip®

Technical data
Weight (with battery): 2.3 kg
Drive: 14,4 V DC
Traction power: 18,000 N
Stroke: 20 mm

Accessories
Li-Ion power battery
2,6 Ah/14,4 V
charger
operating manual with
spare parts list
plastic carrying case

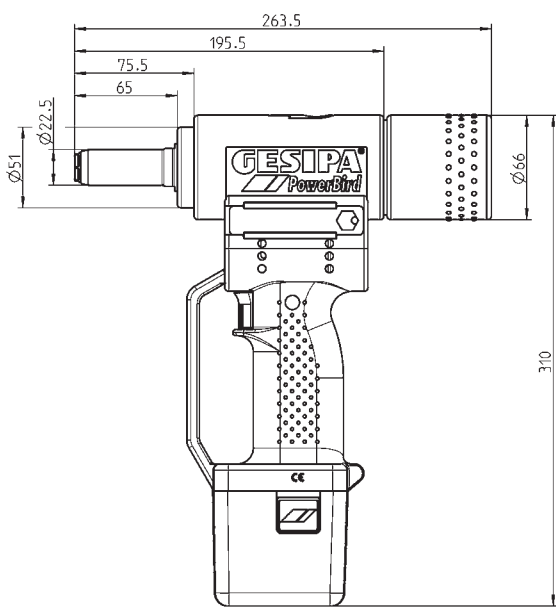


PowerBird® for
lockbolts 4.8 mm C6L®
and MagnaGrip®

**PowerBird® for lockbolts
4.8 mm (3/16") C6L®
Part no. 724 0047**

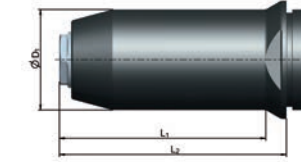
**PowerBird® for lockbolts
4.8 mm (3/16") Magna-Grip®
Part no. 724 0048**

* Some registered trademarks of the companies TITGEMEYER GmbH & Co. KG and Alcoa Fastening Systems



**Head module for lockbolt 4.8 mm (3/16") C6L and Magna-Grip® for
TAURUS® 5 compact, TAURUS® 5 and TAURUS® 6**

Head module	Part no. head module	Part no. tool to use	Ø D ₁	L ₁	L ₂
Head module for lockbolt 6 (3/16") Huck C6L®*	760 1070	760 0003	34 mm	70 mm	77 mm
Head module for lockbolt 6 (3/16") Huck Magna-Grip®*	760 1072	760 0004	34 mm	70 mm	77 mm



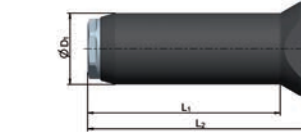
**Head module for lockbolt 6.4 mm (1/4") C6L and Magna-Grip® for
TAURUS® 5 compact, TAURUS® 5 and TAURUS® 6**

Head module	Part no. head module	Part no. tool to use	Ø D ₁	L ₁	L ₂
Head module for lockbolt 8 (1/4") Huck C6L®*	760 1071	760 0005	34 mm	70 mm	77 mm
Head module for lockbolt 8 (1/4") Huck Magna-Grip®*	760 1073	760 0006	34 mm	70 mm	77 mm

**Head module for lockbolt 4.8 mm (3/16") C6L and Magna-Grip® for
TAURUS® 3 SRB**

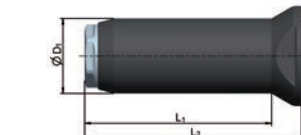
Head module	Part no. head module	Part no. tool to use	Ø D ₁	L ₁	L ₂
Head module for lockbolt 6 (3/16") Huck C6L®*	758 1230	758 0038	22,5 mm	61 mm	70 mm
Head module for lockbolt 6 (3/16") Huck Magna-Grip®*	758 1231	758 0037	22,5 mm	61 mm	70 mm

* Some registered trademarks of the companies TITGEMEYER GmbH & Co. KG and Alcoa Fastening Systems



**Head module for lockbolt 4.8 mm (3/16") C6L and Magna-Grip® for
PowerBird® SRB**

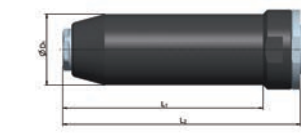
Head module	Part no. head module	Part no. tool to use	Ø D ₁	L ₁	L ₂
Head module for PowerBird® for lockbolt 4.8 mm (3/16") C6L®*	724 2067	724 0047	22,5 mm	56 mm	65 mm
Head module for PowerBird® for lockbolt 4.8 mm (3/16") Magna-Grip®*	724 2068	724 0048	22,5 mm	56 mm	65 mm



**Head module for lockbolt 6.4 mm (1/4") C6L and Magna-Grip® for
PowerBird® SRB**

Head module	Part no. head module	Part no. tool to use	Ø D ₁	L ₁	L ₂
Head module for PowerBird® for lockbolt 6.4 mm (1/4") C6L®*	724 2065	724 0045	32 mm	91 mm	108 mm
Head module for PowerBird® for lockbolt 6.4 mm (1/4") Magna-Grip®*	724 2066	724 0046	32 mm	91 mm	108 mm

* Some registered trademarks of the companies TITGEMEYER GmbH & Co. KG and Alcoa Fastening Systems



PowerBird® SRB 6,4

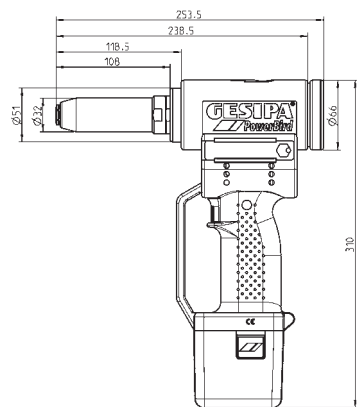
coming soon

PowerBird® for
lockbolts 6.4 mm C6L®
and MagnaGrip®

**PowerBird® for lockbolts
6.4 mm (1/4") C6L®
Part no. 724 0045**

**PowerBird® for lockbolts
6.4 mm (1/4") Magna-Grip®
Part no. 724 0046**

* Some registered trademarks of the companies TITGEMEYER GmbH & Co. KG and Alcoa Fastening Systems



03/2013 - 790 0004

GESIPA Blindniettechnik GmbH
Nordendstraße 13-39
64546 Mörfelden-Walldorf
Germany

T +49 (0) 6105 962 0
F+49 (0) 6105 962 287
info@gesipa.com
www.gesipa.com

A company of **SFS** intec



GESIPA® lockbolt setting tools



» innovative
» powerful
» reliable

**TAURUS® 5 compact, TAURUS® 3 SRB
PowerBird® SRB 4,8 and PowerBird® SRB 6,4**

GESIPA Blindniettechnik GmbH
Nordendstraße 13-39
64546 Mörfelden-Walldorf
Germany

T +49 (0) 6105 962 0
F+49 (0) 6105 962 287
info@gesipa.com
www.gesipa.com

A company of **SFS** intec

