

PowerBird®

The powerful blind rivet setting tool with Li-Ion energy

Innovation

As a stronger brother to the well-known AccuBird® the PowerBird® is the logical upwards extension of the so-called „Bird family“ from GESIPA® able to cope with all structure blind rivets up to 6,4 mm diameter.

Practical aspects

Already well-proven with the AccuBird®:

- Fatiguefree working through well balanced weight repartition and ergonomic grip
- Gravity controlled evacuation of broken mandrels: forward through the nosepiece or backwards into the mandrel container
- The immediate and automatic reset after each riveting process saves energy and speeds up the operation
- Exchange nosepieces and wrench always included in the tool eliminate work interruptions
- Compact, shockproof tool housing
- User oriented scope of delivery: metal carrying case with one battery charger, one battery and four nosepieces



PowerBird® in carrying case with 14.4 Volt / 2.6 Ah battery and charger

Part No. 724 0031

PowerBird® with pressure trigger, 14.4 Volt / 2.6 Ah battery and charger

Part No. 724 0160

PowerBird® in carrying case with two 14.4 Volt / 2.6 Ah batteries and charger

Part No. 724 0040

GESIPA Blindniettechnik GmbH
Nordendstraße 13-39
64546 Mörfelden-Walldorf
Germany

T +49 (0) 6105 962 0
F+49 (0) 6105 962 287
info@gesipa.com
www.gesipa.com

A company of **SFS intec**



With Li-Ion energy

- 2.6 Ah battery, alternatively 1.3 Ah on request
- No memory-effect
- High energy yield through high voltage and low weight for easy and fast operation
- Extremely low self discharge
- New battery shape allow the tool to be stored standing on its battery

Economy

- Excellent price-performance ratio
- Large operating range
- Short working sequences
- High autonomy through 2.6 Ah battery

Versatility

Blind rivets from Ø 4.8 mm steel to Ø 6.4 mm all materials, up to Ø 8 mm alu, except G-Bulb Ø 6.4 mm. BULB-TITE® blind rivets up to Ø 7.7 mm, all materials. MEGA GRIP® blind rivets up to Ø 6.4 mm all materials.

GESIPA®

The powerful blind rivet setting tool with Li-Ion energy

Technical characteristics

Pulling force:	14.000 N
Weight (incl. 2,6 Ah battery):	2.2 kg (4.85 lbs)
Drive:	DC-motor
Stroke:	20 mm

Battery

Nominal voltage:	14,4 V
Capacity:	2.6 Ah
Number of cells:	8
Cell type:	Li-Ion
Weight:	0.5 kg (1.1 lbs)

Part No. 725 1049

Battery charger

Primary voltage:	230V/50Hz
Charging time:	approx. 100 Minutes
Weight:	0.6 kg (1.32 lbs)

Part No. 725 1134

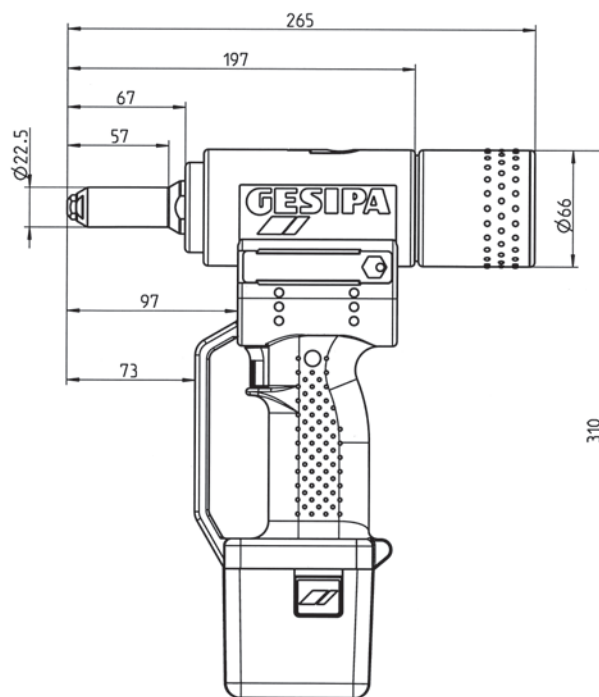
Nosepiece allocation - Typical performance per charge

Blind rivet Ø in mm	Material	pcs/battery charge (2.6 Ah)	Nosepiece	P/N
4.8 and 5.0	Steel, Alu/Alu	700	17/32	725 2067
4,8 and 5,0	Stainl. Steel	560	17/36	725 2083
6.0	Alu	560	17/36	725 2083
6.0	Steel	300	17/40	725 2560
6.4	Alu/PG-Alu	420	17/45	724 3065
6.4	Steel	250	17/45	724 3065
8	Alu	350	17/45	724 3065

BULB-TITE® blind rivets

4.0	Alu/Alu	1,000	17/26 BT*	725 2202
5.2	Alu/Alu	900	17/32 BT*	725 2210
6.3	Alu/Alu	590	17/42 BT*	725 2229
6.3	Steel/Steel	310	17/42 BT*	725 2229
6.3	Monel/Stainl. Steel	380	17/42 BT*	725 2229
7.7	Alu/Alu	470	17/48 BT*	725 2237
			& jaws	715 1527

Dimensions



MEGA GRIP® blind rivets

Blind rivet Ø in mm	Material	pcs/per charge	Nosepiece	P/N
4.8	Alu/Alu	600	17/31 MG*	725 2250
6.4	Alu/Alu	420	17/41 MG*	725 3146
4.8	Steel/Steel	420	17/31 MG*	725 2250
6.4	Steel/Steel	150	17/41 MG*	725 3146
4.8	Stainl./Stainl. Steel	420	17/31 MG*	724 2250
6.4	Stainl./Stainl. Steel	150	17/41 MG*	724 3146

* Available as special accessory
Special nosepieces available on request

Your partner