

PowerBird® Gold Edition

Strong, stronger, PowerBird® Gold Edition – The exclusive Gold Edition with 18,000 N traction power by GESIPA®, the inventor of battery powered riveting

The strong one

PowerBird®, the allrounder of the GESIPA® Bird family with high versatility is now available with higher power: with **18,000 N traction power** it can also set the G-BULB®- and PolyGrip® blind rivets up to Ø 6.4 mm all materials.

The handy one

- Fatiguefree working through well balanced weight repartition and ergonomic grip
- Gravity controlled evacuation of spent mandrels: forward through the nosepiece or backwards into the mandrel container
- The quick and automatic reset after each riveting process saves energy and speeds up the operation
- Exchange nosepieces and wrench included in the tool to eliminate work interruptions
- Compact, shockproof tool housing
- Complete with metal carrying case, one battery charger, one battery and four nosepieces (17/32, 17/36, 17/40 and 17/45)



PowerBird® Gold Edition in plastic carrying case with one 14.4 Volt / 2.6 Ah Li-Ion battery and charger

Part No. 724 0001

PowerBird® Gold Edition with pressure trigger in plastic carrying case with one 14.4 Volt / 2.6 Ah Li-Ion battery and charger

Part No. 724 0002

Set of jaws (3 parts) for PowerBird® Gold Edition

Part No. 710 2208

GESIPA Blindniettechnik GmbH
Nordendstraße 13-39
64546 Mörfelden-Walldorf
Germany

T +49 (0) 6105 962 0
F+49 (0) 6105 962 287
info@gesipa.com
www.gesipa.com

A company of **SFS intec**



**18.000 N
traction power**

Versatility

- Blind rivets from Ø 4.8 mm steel up to Ø 6.4 mm all materials,
- BULB-TITE® blind rivets up to Ø 7.7 mm all materials,
- MEGA GRIP® blind rivets up to Ø 6.6 mm alu and steel,
- G-BULB® blind rivets up to Ø 6.4 mm all materials and
- PolyGrip® blind rivets up to Ø 6.4 mm all materials

Economy

- Excellent price-performance ratio
- Large operating range
- Short working sequences
- High capacity through 2.6 Ah battery

With Li-Ion energy

- 2.6 Ah battery, alternatively 1.3 Ah on request
- No memory-effect
- High energy yield through high voltage and low weight for easy and fast operation
- Extremely low self discharge
- Battery shape allows the tool to be stored upright

GESIPA®

PowerBird® Gold Edition

Strong, stronger, PowerBird® Gold Edition

Technical characteristics

Traction power:	18.000 N
Weight (incl. battery):	2.2 kg
Drive:	DC motor
Stroke:	20 mm

Battery

Nominal voltage:	14.4 V
Capacity:	2.6 Ah
Number of cells:	8
Cell type:	Li-Ion
Weight:	0.5 kg (1.1 lbs)
Part No.	725 1049

Battery charger

Primary voltage:	230V/50Hz
Charging time:	approx. 100 Minutes
Weight:	0.6 kg (1.32 lbs)
Part No.	725 1134

Nosepiece allocation - Typical performance per charge

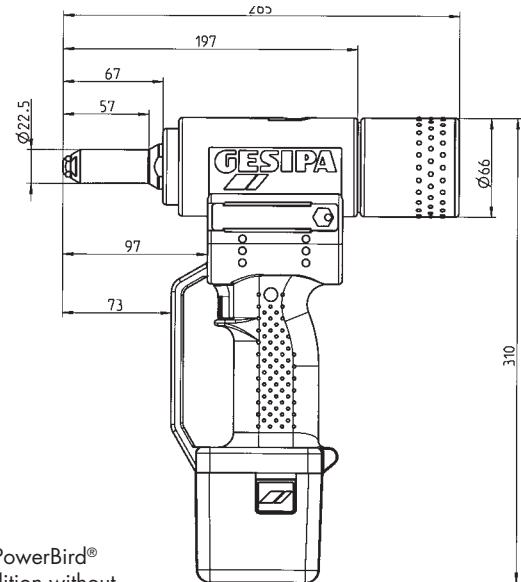
BULB-TITE®-, PolyGrip®, G-Bulb® and standard blind rivets

Blind rivet Ø in mm	Material	Pcs/ battery charge	Nosepiece	P/N
4.8 and 5.0	Steel, Alu/Alu	700	17/32	725 2067
4.8 and 5.0	Stainl. Steel, Stinox, PG-Steel, PG-Stainl.	560	17/36	725 2083
6.0	Alu	560	17/36	725 2083
6.0	Steel	300	17/40	725 2560
6.4	Alu	420	17/40	725 2560
6.4	Steel, PG-Steel, Alu/ Alu, Stainless, G-Bulb	250	17/45	724 3065
8	Alu	350	17/45	724 3065

BULB-TITE®-blind rivets

4.0	Alu/Alu	1,000	17/26 BT*	725 2202
5.2	Alu/Alu	900	17/32 BT*	725 2210
6.3	Alu/Alu	590	17/42 BT*	725 2229
6.3	Steel/Steel	310	17/42 BT*	725 2229
6.3	Monel/Stainl. Steel	380	17/42 BT*	725 2229
7.7	Alu/Alu	470	17/48 BT*	725 2237
			and jaws	715 1527

Dimensions



Above PowerBird®
Gold Edition without
pressure trigger

MEGA GRIP® blind rivets

Blind rivet Ø in mm	Material	Pcs/ battery charge	Nosepiece	P/N
4.8	Alu/Alu	600	17/31 MG*	725 2250
6.4	Alu/Alu	420	17/41 MG*	725 3146
4.8	Steel/Steel	420	17/31 MG*	725 2250
6.4	Steel/Steel	150	17/41 MG*	725 3146

* Available as special accessory
Special nosepieces available on request

G-Bulb® blind rivets

4.8	Steel/Steel	530	17/32	725 2067
6.4	Steel/Steel	390	17/45	724 3065
4.8	Stainless Steel	470	17/32	725 2067
6.4	Stainless Steel	390	17/45	724 3065

Your partner:

GESIPA Blindniettechnik GmbH
Nordendstraße 13-39
64546 Mörfelden-Walldorf
Germany

T +49 (0) 6105 962 0
F+49 (0) 6105 962 287
info@gesipa.com
www.gesipa.com

A company of **SFS intec**

GESIPA®