

FireBird®



The well-proven blind rivet nut setting tool with Li-Ion energy

High performance

14.4 Volt battery energy for versatile, cablefree operation on building sites or in industry production

Safety first

- Drill-on of the blind rivet nut with reduced torque and automatic switch-off
- Triggering the setting process clearly separated from the drill-on action
- Electronic control of the adjusted setting stroke
- Drill-off with high torque
- Sturdy, compact and shockproof tool housing

The ergonomomy

- Fatiguefree working through well balanced weight repartition and ergonomic grip
- Easy stroke adjustment



FireBird® with 14.4 Volt /1.3 Ah battery and charger, in metal carrying case

Part No. 726 0032

FireBird® with two 14.4 Volt /1.3 Ah batteries and charger, in metal carrying case

Part No. 726 0030

With Li-Ion energy

- Choice of 1.3 Ah and 2.6 Ah battery
- No Memory-effect
- High Energy yield through high voltage and low weight allow very easy and fast operation
- Extremely low self discharge
- New battery shape allows the tool to be stored standing on its battery

High speed

- Easy and safe drill-on of the blind rivet nut
- Constant setting speed
- Automatic switching from setting to drill-off
- Fast and simple exchange of threaded mandrel

Versatility

Blind rivet nuts up to M10 alu, M8 steel and M6 stainless steel

GESIPA Blindniettechnik GmbH
Nordendstraße 13-39
64546 Mörfelden-Walldorf
Germany

T +49 (0) 6105 962 0
F+49 (0) 6105 962 287
info@gesipa.com
www.gesipa.com

A company of **SFS intec**

GESIPA®

The well-proven blind rivet nut setting tool with Li-Ion energy

Technical characteristics

Drive:	DC-motor
Setting force:	13,000 N
Max. stroke:	5,5 mm
Weight (incl. 1.3 Ah battery):	2.1 kg (4.63 lbs)

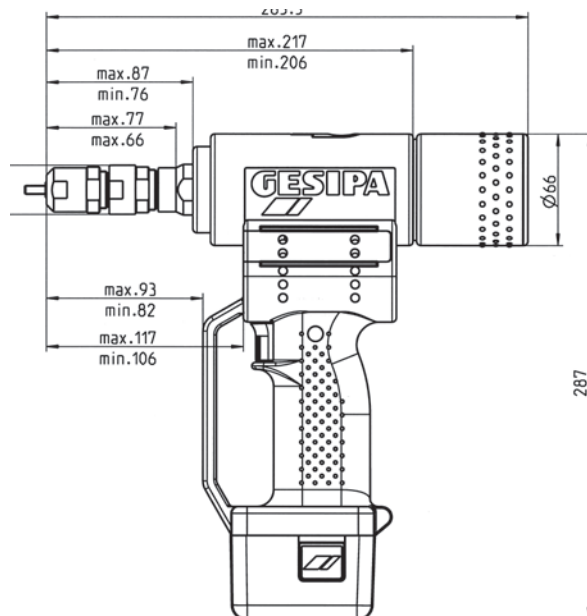
	1.3 Ah battery	2.6 Ah battery
Nominal voltage	14.4 V	14.4 V
Capacity	1.3 Ah	2.6 Ah
Number of cells	4	8
Cell type	Li-Ion	Li-Ion
Weight	0.35 kg	0.5 kg
Part No.	725 1045	725 1049

Charger

Primary voltage:	230V/50Hz
Charging time:	50 to 100 minutes (acc. to battery type)
Weight:	0.6 kg (1.32 lbs)

Part No. 725 1134

Dimensions



Typical performance per charge / Treaded mandrels and nosepieces

Blind rivet nut inner thread	Material	approx. pcs/charge (1.3 Ah)	Part Number	
			Mandrel	Nosepiece
M3	alu	480	726 2019*	726 2086*
M3	steel/stainl. steel	440		
M4	alu	420	726 2027	726 2094
M4	steel/stainl. steel	380		
M5	alu	380	726 2035	726 2108
M5	steel/stainl. steel	320		
M6	alu	320	726 2043	726 2116
M6	steel/stainl. steel	240		
M8	alu	270	726 2051*	726 2124*
M8	steel	140		
M10	alu	240	726 2078*	726 2132*

* Available as special accessory



Your partner: